



MERCURA®

ALUMINIUM MOBILE SOLUTIONS





Paul Coupez – CEO

**MERCURA INDUSTRIES IS A SPECIALIZED
ANODIZED ALUMINIUM MANUFACTURER
OF HIGH QUALITY MOBILE EQUIPMENT FOR
THE HOSPITALITY SECTOR.**

**OUR INNOVATIVE TEAM PUTS ITS EXPERTISE
AT YOUR DISPOSAL TO TAILOR THE OPTIMUM
SOLUTION TO YOUR SPECIFIC NEEDS.**

**WE OFFER A FULL RANGE OF MANOEUVRABLE,
ERGONOMIC AND DURABLE PRODUCTS FROM
THE FRONT TO THE BACK OF THE HOUSE.**



Mercura Industries s.a.
Rue Bois des Îles 15
Eilandenhoutstraat 15
B-1082 Brussels

Tel: +32 (0)2 482 11 30
Fax: +32 (0)2 468 18 48
www.mercura.com
info@mercura.com



MERCURA

www.mercura.com





7 **LUGGAGE**

21 **HOUSEKEEPING**

49 **MINI-BAR • ROOM SERVICE • CATERING**

71 **HANDLING**







LUGGAGE

Palazzo

SPECIFICATIONS

- Prestigious 'bird-cage' luggage trolley
- In anodised aluminium, robust and light
- Durable anodised gloss finish, tarnishfree, low maintenance, no oxidation
- Available in 2 colours: silver or gold

OPTION

- Motorized 5th wheel

OPTION

- Polished disk with personalised custom logo



- Hanging rail for garment bags

- Round tube frame
Exceptional durability
No maintenance

- Round shaped birdcage or
● Angular shaped birdcage



OPTION

- Hoop to retain luggage which can also be used as a handle to lift trolley over pavements

- Flexible non-marking full wrap-around bumper to protect interior

- Pneumatic wheels Ø 225 mm for irregular floors or pavements or
● Rubber wheels easy roll Ø 200 mm for smooth floors



- 2 fixed et 2 swivel wheels

Ref. 1 402 029

- Base covered with deluxe carpet:
 - black
 - brown
 - blue
 - red





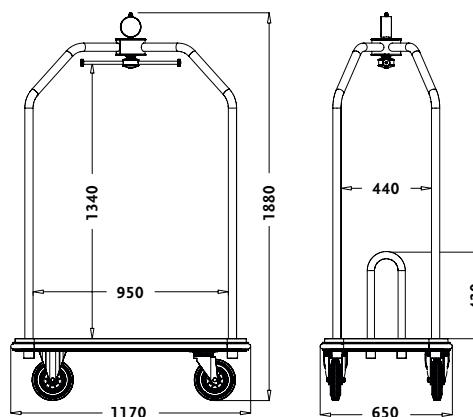
Ref. 1 402 016



Ref. 1 402 022



Ref. 1 402 011



PALAZZIO		SILVER		GOLD	
		Rubber wheels ø 200 mm	Pneumatic wheels ø 225 mm	Rubber wheels ø 200 mm	Pneumatic wheels ø 225 mm
Angular birdcage shape	N°1 standard	1 402 011	1 402 013	1 402 012	1 402 014
	N°2 with retaining handle	1 402 021	1 402 023	1 402 022	1 402 024
Round Birdcage shape	N°1 standard	1 402 016	1 402 018	1 402 017	1 402 019
	N°2 with retaining handle	1 402 026	1 402 028	1 402 027	1 402 029

Pullman

SPECIFICATIONS

- High capacity luggage trolley for guest groups
- Solid round tube frame in anodised aluminium with durable satin-like low maintenance finish
- Available in 2 colours: silver or gold
- Platform covered with red, blue or black hard-wearing carpet
- Full wrap-around non-marking bumper to protect interior and walls
- Decorative disks at each end covered with matching carpet. Optional:
 - with letter in standard font
 - or disk with personalised customer logo
- 2 fixed and 2 swivel wheels. Choice of:
 - grey rubber wheels Ø 200 mm for smooth floors
 - or pneumatic wheels Ø 225 mm for uneven floors

OPTION

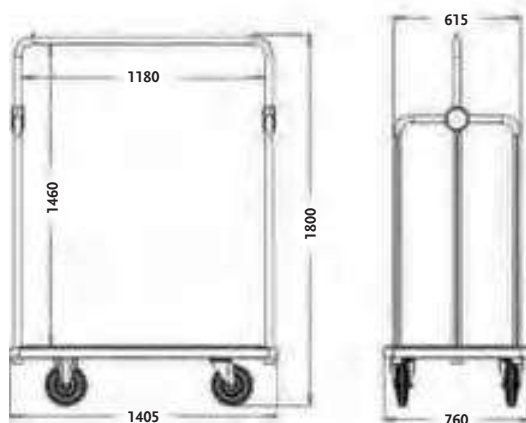
- Upgrade to deluxe thick carpet in different colours



Ref. 1 402 207



Ref. 1 402 203



PULLMAN

SILVER

GOLD

Rubber wheels
Ø 200 mm

Pneumatic wheels
Ø 225 mm

Rubber wheels
Ø 200 mm

Pneumatic wheels
Ø 225 mm

Ref.

1 402 202

1 402 207

1 402 203

1 402 205

Sevilla

SPECIFICATIONS

- Small luggage trolley for individual luggage
- Solid round tube frame in anodised aluminium with durable satin-like low maintenance finish
- Available in 2 colours: silver or gold
- Small garment bag rail
- Platform covered with deluxe carpet: black, brown, blue or red
- Carpet colours available
- Full wrap-around non-marking bumper to protect interior and walls
- Decorative disks at each end covered with matching carpet. Optional:
 - with letter in standard font
 - or disk with personalised customer logo
- 2 fixed and 2 swivel wheels. Choice of:
 - grey rubber wheels Ø 160 mm for smooth floors
 - or pneumatic wheels Ø 225 mm for uneven floors



Ref. 1 402 102



Ref. 1 402 100



SEVILLA	SILVER		GOLD	
	Rubber wheels Ø 160 mm	Pneumatic wheels Ø 225 mm	Rubber wheels Ø 160 mm	Pneumatic wheels Ø 225 mm
Ref.	1 402 100	1 402 103	1 402 101	1 402 102

Eldorado

SPECIFICATIONS

- Platform luggage trolley for guest luggage
- Solid tube frame in non anodised aluminium natural silver colour
- Non-marking grey bumpers at each side and on all 4 corners to protect interior and walls
- Platform and side panels covered with red, black or blue hard-wearing carpet
- 2 fixed and 2 swivel wheels. Choice of:
 - grey rubber wheels Ø 200 mm for smooth floors
 - or pneumatic wheels Ø 225 mm for irregular floors

OPTION

- Gold finish



Ref. 1 402 600

California

SPECIFICATIONS

- Porter's hand truck for luggage
- In anodised aluminium with durable satinlike low maintenance finish
- Available in 2 colours: silver or gold
- Platform and back panel covered with red, black or blue hard-wearing carpet
- Garment bag hook
- Choice of wheels:
 - 2 fixed wheels in rubber Ø 200 mm for smooth floors
 - or pneumatic wheels Ø 260 mm for better manoevrability on irregular floors or steps
- Optional 'V' -shaped support legs for horizontal loading

Ref. 1 400 005
+ 1 354 020

Ref. 1 400 005



Ref. 1 400 004

Portland

SPECIFICATIONS

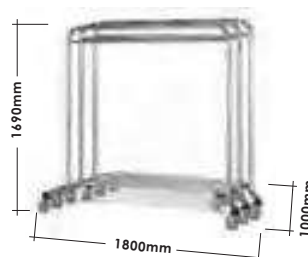
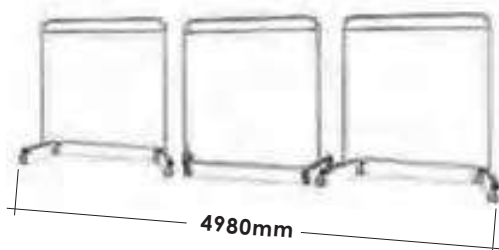
- Mobile coat rail in anodised aluminium
- Durable satin-like finish in 2 colours: silver or gold
- Practical 'V' shaped base offers optimal stability and allows intelligent nesting to minimise storage space
- 4 swivel wheels Ø 100 mm with corner buffers

OPTION

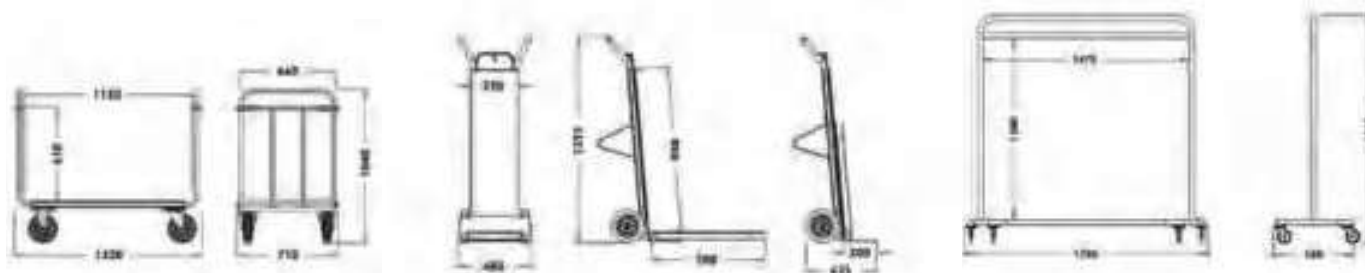
- Top hat shelf



Ref. 1 658 000



		SILVER				GOLD			
		Rubber wheels	Ø mm	Pneumatic wheels	Ø mm	Rubber wheels	Ø mm	Pneumatic wheels	Ø mm
ELDORADO	Trolley	1 402 600	200	1 402 601	225	–			
CALIFORNIA	Trolley	1 400 003	200	1 400 004	260	1 400 005	200	1 400 006	260
	Option: 'V' support legs	1 354 024	200	1 354 026	260	1 354 020	200	1 354 022	260
PORTLAND	Coat rail	1 680 000	100	–		1 680 001	100	–	
	Option top hat shelf	1 658 000	100	–		1 658 001	100	–	



Piccadilly

TRANSPORT TROLLEY FOR PERSONAL BELONGINGS OR DRY-CLEANING SERVICE

- For the transport of clothes on hangers, luggages, linen, boxes...
- 2 retractable shelves
- Base and top covered with red, blue and black carpet
- 4 swivel wheels Ø 125 mm with circular buffer



PICADILLY

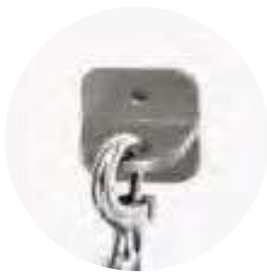
Overall size (L x W x H)	930 x 540 x 1850 mm
Useful size (L x W x H)	850 x 460 x 1400 mm
Size of shelves (L x W)	350 x 400 mm
Code	1 402 500



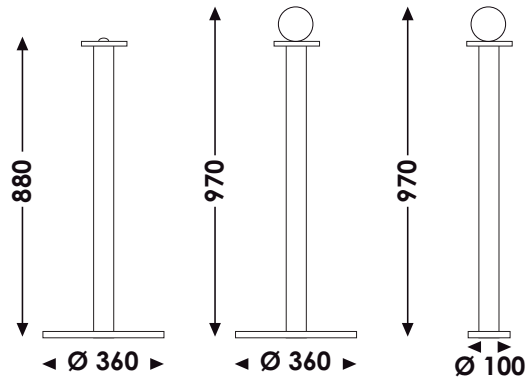
Cordoba



SPECIFICATIONS

- For an optimal and elegant organisation of public areas and lobbies
- Stanchions in anodised aluminium, with durable gloss finish, tarnish-free, no daily polishing, no oxidation, low maintenance
- Strong and stable base, weight: 10 Kg, Ø 360 mm fitted with rubber to protect floor
- Universal ring accepting several ropes simultaneously from different directions
- Choice of ropes in velvet with matching gold or silver snap hook



- Wall plate
- Ref. 1 850 300



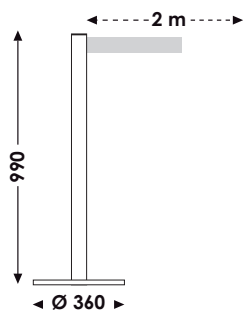
	Silver 		Gold 	
	1700 mm	3000 mm	1700 mm	3000 mm
Black	1 850 492	1 850 496	1 850 494	1 850 498
Red	1 850 500	1 850 504	1 850 502	1 850 506
Blue	1 850 516	1 850 520	1 850 518	1 850 522
Brown	1 850 508	1 850 512	1 850 510	1 850 514



Vendome

SPECIFICATIONS

- Crowd control posts with **retractable belt system**
- Posts in anodised aluminium, with durable gloss finish, tarnish-free, no daily polishing, no oxidation, low maintenance
- Strong and stable base, weight: 10 Kg, Ø 360 mm, fitted with rubber to protect floor
- 4 connection points, allowing up to 4 belts to be attached simultaneously from different directions



Color	With 1 retractable belt		Without belt
	Blue	Red	
Silver	1 800 560	1 800 563	1 800 570

Socrate



	Silver	Gold
Board size	605 x 450 mm	605 x 450 mm
Ref.	1 800 550	1 800 555

Java 8 • 16

SECURE TRANSPORT AND STORAGE FOR VENDOME AND CORDOBA GUIDING STANCHIONS

SPECIFICATIONS

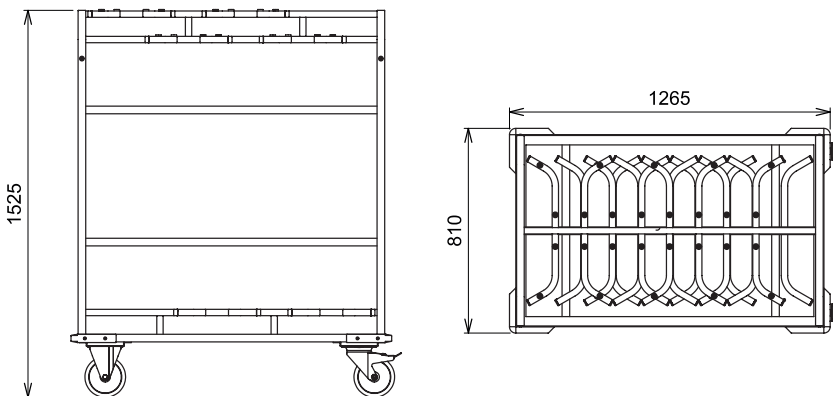
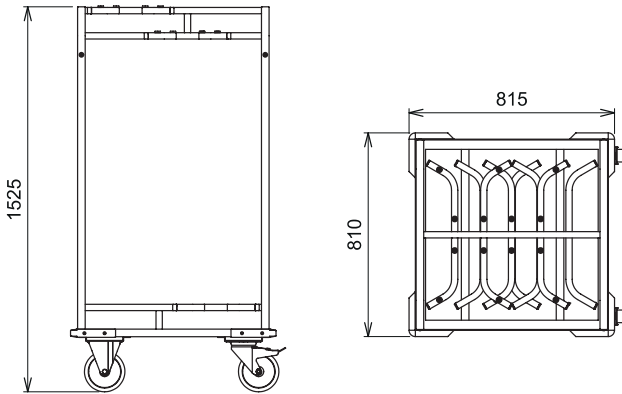
- Trolley in non anodized aluminium
- Available in 2 versions: 8 or 16 posts
- Choice of 2 colors: natural = Silver or lacquered Black (Ref. **1 441 120**)
- 2 fixed + 2 swivel wheels with brake
Easy Roll Ø 160mm
- 4 rubber corner bumpers

OPTIONS

- Personalised logo
- Decor panels on 2 sides
Ref. **1 441 130**



Ref. **1 441 118**
+ **1 441 130**



Ref.

Java 8

1 441 118

Java 16

1 441 116



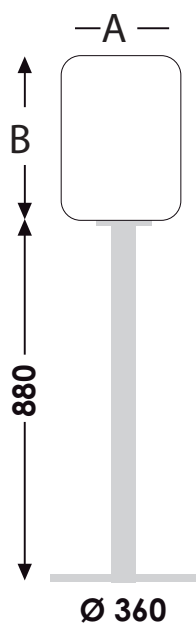
Capri

SPECIFICATIONS

- Grooved rubber board for insertion of letters or numbers
- Rear covered with deluxe thick carpet
- Available in silver
- Letters and numbers in gold or white, many sizes
- To be ordered with Cordoba Ref. 1 800 510

OPTION

- Transparent protection sheet



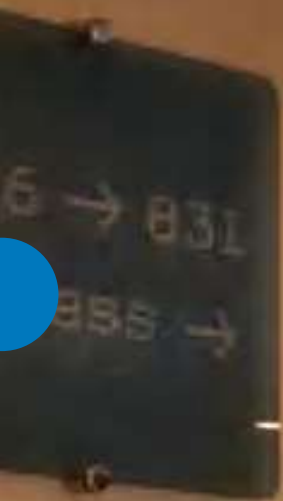
● Capri

● Cordoba
Silver Ref. 1 800 510



● Transparent protection sheet

Board	N°1		N°2		N°3	
Size A x B	Horizontal 400 x 300 mm	Vertical 300 x 400 mm	Horizontal 500 x 330 mm	Vertical 330 x 500 mm	Horizontal 600 x 400 mm	Vertical 400 x 600 mm
Silver	1 800 010	1 800 011	1 800 020	1 800 021	1 800 030	1 800 031
Plexiglas	1 850 410	1 850 411	1 850 420	1 850 421	1 850 430	1 850 431



www.mercura.com



HOUSEKEEPING



SPACECAR

FOLDABLE: FOR LIMITED STORAGE SPACE

- All trolleys of the **SPACECAR** range are **foldable** to minimise storage space
- 1 or 2 foldable sack holders with foldable base
- Full wrap-around bumper around main cabinet, 2 revolving circular corner buffers around each sack holder base
- Made of anodised aluminium, ultra-light, solid, hygienic and easy to manoeuvre
- Clean linen cabinet with 2 shelves for 3 storage compartments, choice of 3 storage capacities: 600, 760 or 860 mm cabinet length
- Top of linen cabinet equipped with fixed 'Welcome' tray for toiletries with 5 adjustable compartments or top shelf with 35 mm upstands
- 2 fixed and 2 swivel wheels Ø 160 mm, polyamide or rubber depending on floor covering

OPTIONS

- 4 swivel wheels
- The sack holders for dirty linen on the **NAPOLI** and **ROSALIA** models can be replaced by a holder for plastic waste bag
- Motorized 5th wheel



Napoli THE MUST FOR HOUSEKEEPERS

SPECIFICATIONS

- 1 foldable holder for linen bag 160 L
- 1 foldable holder for plastic bag (perimeter min. 117 cm)
- 2 foldable bases with circular buffers
- Delivered with 1 polyester bag 160 L for soiled linen with 3 Velcro straps



Napoli 760 & Welcome
Ref. 1 200 103

Santa Fe

SPECIFICATIONS

- 2 foldable holders for linen bags 160 L
- 2 foldable bases with circular buffers
- Delivered with 2 polyester bags 160 L for soiled linen with 3 Velcro straps



Santa Fe 600 & Welcome
Ref. 1 200 111

Rosalia

SPECIFICATIONS

- 1 foldable holder for linen bag 160 L
- 1 foldable base with circular buffers
- Delivered with 1 polyester bag 160 L for soiled linen with 3 Velcro straps



Rosalia 860 & Welcome
Ref. 1 200 125

ROOMCAR

FIXED: WHERE THERE IS SUFFICIENT STORAGE SPACE

- Trolleys of the ROOMCAR range have fixed sack holders and fixed bases for customers with no storage problems
- Full wrap-around bumper around the base, extra revolving circular corner buffers available as an option
- Made of anodised aluminium, ultra-light, solid, hygienic and easy to manoeuvre
- Clean linen cabinet with 2 shelves for 3 storage compartments, choice of 3 storage capacities: 600, 760 or 860 mm cabinet length
- Top of linen cabinet equipped with fixed 'Welcome' tray for toiletries with 5 adjustable compartments or top shelf with 35 mm upstands
- 2 fixed and 2 swivel wheels Ø 160 mm, polyamide or rubber depending on floor covering

OPTIONS

- The sack holders for dirty linen on the NEVADA and RIVIERA models can be replaced by a holder for plastic waste bag
- 4 swivel wheels



Ref. 1 200 011 (black)

Nevada

SPECIFICATIONS

- 1 fixed sack holder for linen bag 160 L
- 1 fixed sack holder for plastic bag (perimeter min. 117 cm)
- Delivered with 1 polyester bag 160 L for soiled linen with 2 Velcro straps



Nevada 760 & Welcome
Ref. 1 200 013

Sao Paolo

SPECIFICATIONS

- 2 fixed sack holders for linen bag 160 L
- Delivered with 2 polyester bags 160 L for soiled linen with 2 Velcro straps



Sao Paolo 600 & Welcome
Ref. 1 200 001

Riviera

SPECIFICATIONS

- 1 fixed sack holder for linen bag 160 L
- Delivered with 1 polyester bag 160 L for soiled linen with 2 Velcro straps



Riviera 600 & Welcome
Ref. 1 200 031

COMPACT

Florida

SPECIFICATIONS

- Compact housekeeping trolley
- Clean linen cabinet in anodised aluminium with 2 shelves for 3 storage compartments
- Choice of 3 storage capacities: 600, 760 or 860 mm cabinet length
- Top of linen cabinet equipped with:
 - 'Welcome' tray for toiletries with 5 adjustable compartments
 - or top shelf with 35 mm upstands
- Steering handle
- Full wrap-around non-marking flexible bumper to protect interior and corridors
- 4 swivel wheels Ø 160 mm in polyamide
- Rubber wheels optional

OPTIONS FLORIDA & SALLY

- Practical combination with SALLY mobile sack holder for linen bag 160 wL for soiled linen
- Sack holder can be equipped with a hook to enable you to wheel both trolleys together
- Both trolleys can be used combined or separately. Allows separate and hygienic storage of units for dirty and clean linen



Florida 760 & top shelf
Ref. 1 200 024



Sally + Florida
Florida 760 & Welcome
Ref. 1 200 023
+ Sally Ref. 1 100 011
(+ mahogany decor panelling optional)



Ref. 1 200 021

Detroit

SPECIFICATIONS

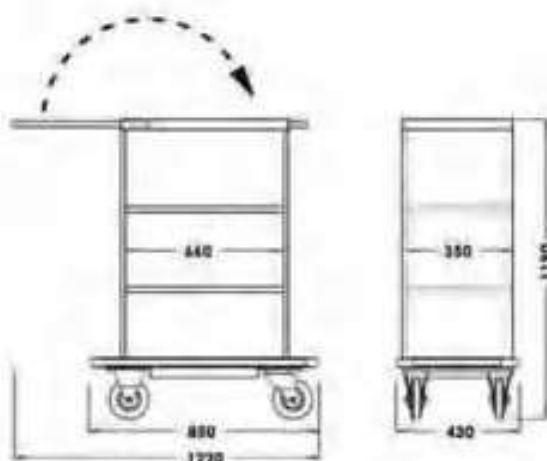
- Extra narrow trolley: only 420 mm wide
- Clean linen cabinet in anodised aluminium 700 mm long x 370 mm wide with 2 shelves for 3 storage compartments
- Top of linen cabinet equipped with top shelf with 35 mm upstands
- Steering handle
- Sack holder for soiled linen bag 820 mm high can be folded down onto the top shelf to reduce storage space
- Full wrap-around non-marking flexible bumper to protect interior and corridors
- 4 swivel rubber wheels Ø 125 mm
- Delivered with 1 polyester linen bag



Ref. 1 200 210
Shown with sack holder folded

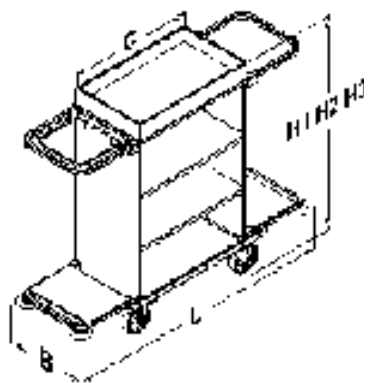


Ref. 1 200 210

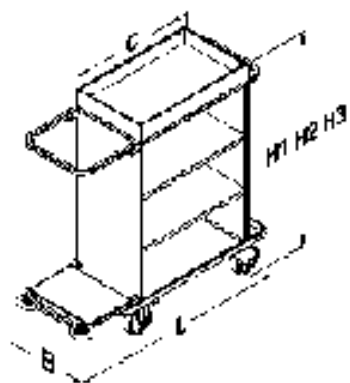


- Sack holder folds down onto top shelf for storage

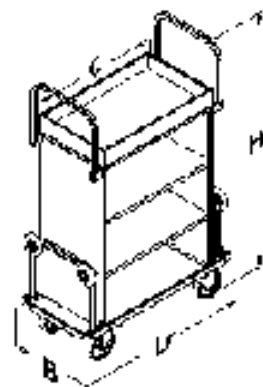
SPACECAR



NAPOLI



ROSALIA



SANTA FE

OPTIONS

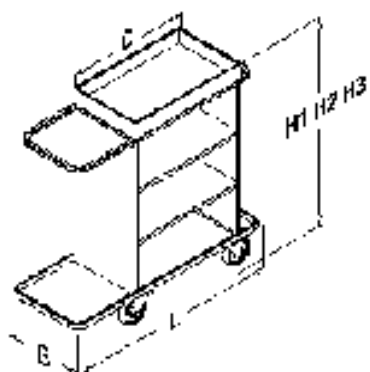
- The sack holders for dirty linen on the NAPOLI and ROSALIA models can be replaced by a holder for plastic waste bag

Size (mm)	C	L	B	H1	H2	H3	Lr	Hr
NAPOLI SANTA FE	600	1470	500	1350	1300	1255	880	1540
	760	1630	500	1350	1300	1255	1040	1540
	860	1730	500	1350	1300	1255	1140	1540
ROSALIA	600	1180	500	1350	1300	1255	880	1540
	760	1340	500	1350	1300	1255	1040	1540
	860	1440	500	1350	1300	1255	1140	1540

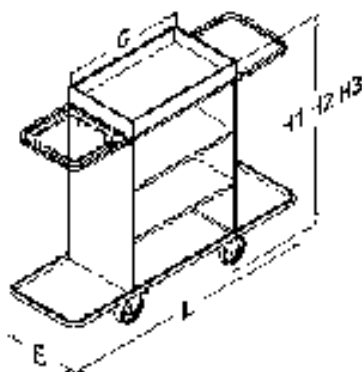
Total height: H1: with Welcome 150, H2: with Welcome 100, H3: with top shelf, Lr: Length folded, Hr: Height folded

SPACECAR		600	760	860
NAPOLI	With Welcome tray	1 200 101	1 200 103	1 200 105
	Top shelf	1 200 102	1 200 104	1 200 106
SANTA FE	With Welcome tray	1 200 111	1 200 113	1 200 115
	Top shelf	1 200 112	1 200 114	1 200 116
ROSALIA	With Welcome tray	1 200 121	1 200 123	1 200 125
	Top shelf	1 200 122	1 200 124	1 200 126

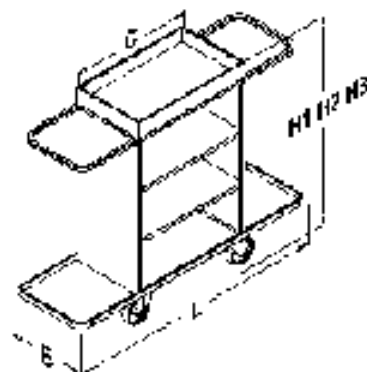
ROOMCAR



RIVIERA



NEVADA



SAO PAOLO

OPTIONS

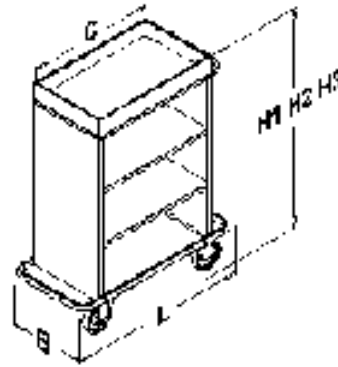
- The sack holders for dirty linen on the NEVADA and RIVIERA models can be replaced by a holder for plastic waste bag

Size (mm)	C	L	B	H1	H2	H3
RIVIERA	600	1155	500	1350	1300	1255
	760	1315	500	1350	1300	1255
	860	1415	500	1350	1300	1255
NEVADA SAO PAOLO	600	1470	500	1350	1300	1255
	760	1630	500	1350	1300	1255
	860	1730	500	1350	1300	1255

Total height: H1: with Welcome 150, H2: with Welcome 100, H3: with top shelf, Lr: Length folded, Hr: Height folded

ROOMCAR		600	760	860
NEVADA	With Welcome tray	1 200 011	1 200 013	1 200 015
	Top shelf	1 200 012	1 200 014	1 200 016
SAO PAOLO	With Welcome tray	1 200 001	1 200 003	1 200 005
	Top shelf	1 200 002	1 200 004	1 200 006
RIVIERA	With Welcome tray	1 200 031	1 200 033	1 200 035
	Top shelf	1 200 032	1 200 034	1 200 036

COMPACT



FLORIDA

Size (mm)	C	L	B	H ₁	H ₂	H ₃
FLORIDA	600	800	500	1350	1300	1255
	760	960	500	1350	1300	1255
	860	1060	500	1350	1300	1255
SALLY		520	500	1180	1180	1180

Total height: H1: with Welcome 150, H2: with Welcome 100, H3: with top shelf

		600	760	860
FLORIDA	With Welcome tray	1 200 021	1 200 023	1 200 025
	With top shelf	1 200 022	1 200 024	1 200 026
SALLY	Trolley	1 100 011	1 100 011	1 100 011

		Ref.
DETROIT	Trolley	1 200 210
	Additional polyester bag for Detroit	1 150 220

Accessories Roomcar, Spacecar & Compact

Lido



- Lid for Welcome tray, to safeguard contents
- Depth: 50 mm
- Lock on request

Papyrus for Lido



- 6 fixed compartments fitted in the 'Lido' lid for organised storage of paper items

Tyrol



- Drawer on telescopic rails with 3 adhesive adjustable dividers
- 2 heights available: 40 mm for paper stationary of 100 mm for toiletries

Useful height for guest items	LIDO	LIDO & PAPYRUS
Welcome 100 mm	145 mm	100 mm
Welcome 150 mm	195 mm	150 mm

Useful height for guest items	LIDO	PAPYRUS	TYROL 40	TYROL 100
600	1 250 020	1 250 031	1 250 010	1 250 014
760	1 250 021	1 250 032	1 250 011	1 250 015
860	1 250 022	1 250 035	1 250 012	1 250 016

Lid



- Lid in anodised aluminium for plastic or polyester linen sack holder
- Reduces unpleasant odours and offers additional hygiene

Lid for plastic sack holder	1 250 005
Lid or polyester sack holder	1 250 006

MTS System



- For selective waste sorting: holder for 2 plastic bags with minimum perimeter 95 cm
- Lid optional
- Can be combined with Picbox for additional waste sorting

MTS Spacecar (foldable)	1 250 000
MTS Roomcar (unfoldable)	1 250 001
Lid for MTS	1 250 006

Picbox



- Plastic container
- Fits on the base of Spacecar and Roomcar
- Stackable
- Design and color may vary subject to stock availability

Picbox	1 250 303
Overall size (L x W x H) mm	465 x 410 x 265

Accessories Roomcar, Spacecar & Compact

Guest amenities

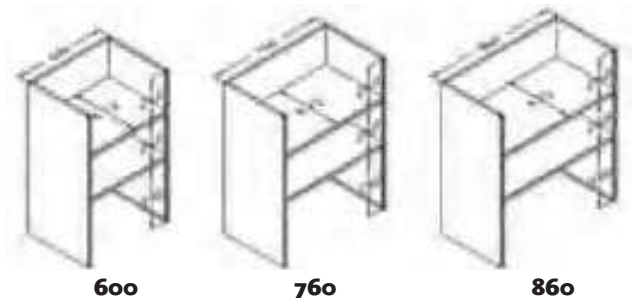


- **WELCOME:** practical sorter with 5 adjustable compartments for organising guest amenities or stationary
- Standard height: 100 mm
- Optional height: 150 mm



- Top **shelf** in high-quality robust grey Volkern
- Equipped with 35 mm upstands to prevent objects from falling down

Clean linen cabinet



- Cabinet for clean linen entirely made of anodised aluminium
- Hygienic
- 2 shelves for 3 storage levels
- Choice of 3 sizes according to number of rooms and service level: 600, 760 of 860 mm long
- Doors optional

Hooks



- Broom clip



- Aluminium Hook

Sack holders

- Robust sack holders, either **fixed** or **foldable**, depending on your needs and storage space availability
- Holders for 2 types of bags: linen or plastic
- Can be equipped with optional lid to prevent unpleasant odours



- Linen bags for soiled linen
- High-capacity 160 L bag, 3 Velcro straps, closed with string and clip fastener
- In washable polyester

Bumpers and wheels

- Choice of **Ø 160 mm wheels** depending on floor covering for optimal manoeuvrability:
 - **polyamide** wheels for carpet floor covering
 - or **rubber** wheels for smooth surfaces such as marble



- **Full wrap-around bumper** around fixed base
- Flexible, durable, non-marking
- To protect furniture, walls and doors
- Standard on all housekeeping trolley



- In addition, all foldable bases (SPACECAR) are equipped standard with **circular revolving corner buffers** on the foldable base
- Optional for fixed trolleys



- Holder for plastic garbage bags
- For any kind of plastic bag with minimum 117 cm perimeter
- Shown with optional lid

Accessories Roomcar, Spacecar & Compact

Pick-up



● Removable sack holder for plastic bags (minimum 117 cm perimeter)



● With or without lid



PICK-UP 2000	Without lid	1 250 042
	With lid	1 250 045

Decors

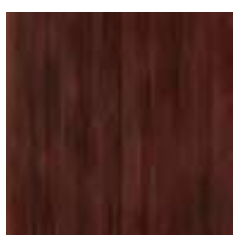
- Possibility to decorate your trolley with long-lasting decor panelling. Choice of 5 colours. Please contact us for more information and order reference codes.



Ceruse Oak



Mahogany



Wenge

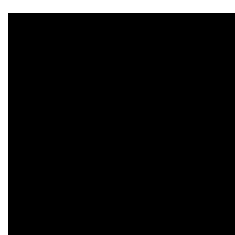


Grey

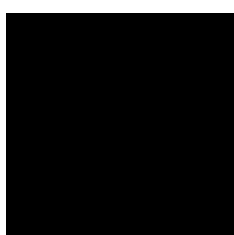


Black

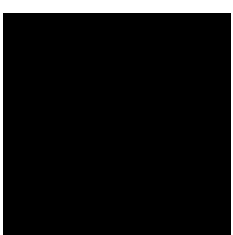
Bag colors for housekeeping trolleys



Black



Dark Blue



Burgundy



Beige

- Design and color may vary subject to stock availability.



Fronsac

SPECIFICATIONS

- Ultra-compact trolley. Fits in the most confined spaces such as small elevators, narrow corridors
- Sack holder for soiled linen folds around the trolley to allow storage in small areas
- Clean linen cabinet in anodised aluminium with 2 shelves for 3 storage compartments
- Top shelf with dividers allowing 5 adjustable compartments for amenities and stationary
- Steering handle
- Delivered with 1 linen bag in washable polyester with Velcro fastening

OPTIONS

- With doors
- Decor panels

FRONSAC 125

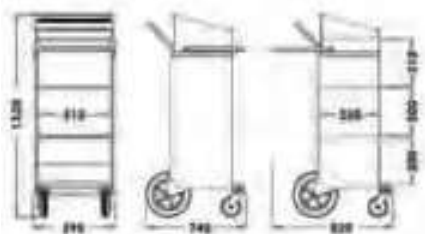
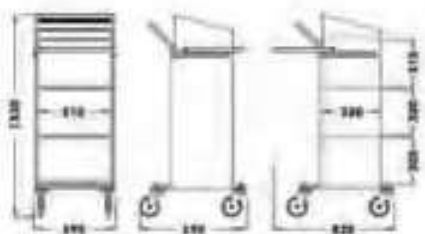
- 4 swivel rubber wheels Ø 125 mm with revolving circular buffers

FRONSAC 300

- 2 swivel rubber wheels Ø 125 mm with revolving circular buffers
- 2 large wheels Ø 300 mm to easily mount steps



- Sack holder folds around the trolley for storage



FRONSAC		Ref.
125	Trolley	1 200 220
300	Trolley	1 200 221

Panama

A BIG VOLUME FOR SMALL SPACES

- Fully foldable trolley for limited storage spaces
- Easy and very fast folding
- Foldable sack-holder for 1 x 160L polyester linen bag and 1 x 60L plastic bag
- 1 foldable shelf underneath the bags
- 3 foldable shelves for linen
- 6 x 100 mm diameter rubber wheels with circular corner buffers
- Decor panels:
 - ceruse oak
 - mahogany
 - wenge
 - grey
 - black

OPTIONS

- Plastic picbox container
- Wheels with brakes



Ref. 1 209 150



PANAMA

	Folded	Unfolded
Length	600 mm	1020 mm
Width	300 mm	660 mm
Height	1780 mm	1590 mm

Dimensions of the linen shelves

Length	535 mm
Width	480 mm
Space between the shelves	500 mm

Megeve

TRANSPORT TROLLEY FOR CLEAN LINEN

- Sturdy construction made of anodised aluminium: light-weight, highly manoeuvrable, hygienic
- Smooth surfaces: easy to clean and to disinfect
- 2 shelves in anodised aluminium for 3 levels
- Full wrap-around non-marking bumper
- Steering handle for optimal manoeuvrability
- 2 fixed et 2 swivel rubber non-marking wheels Ø 160 mm
- Available in 2 sizes
- 3 versions: open front – with canvas – with doors

OPTIONS

- Brakes on 2 swivel wheels
 - Pneumatic wheels Ø 225 mm
 - Lock on doors
- Canvas color may vary subject to stock availability



Ref. 1 210 220



Ref. 1 210 221



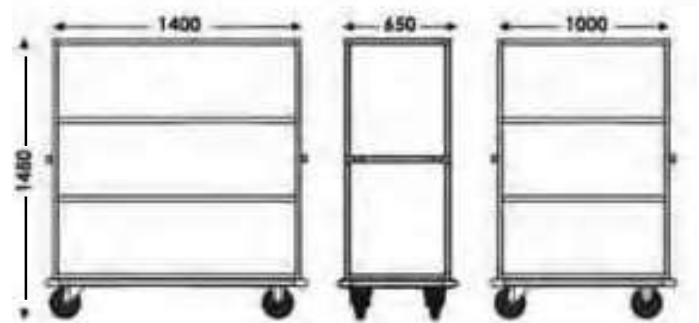
Ref. 1 210 222



● Canvas to protect clean linen, secured by Velcro strip



● Steering handle for better manoeuvrability



● Large

● Small

Stardress

MOBILE SHELF FOR TRANSPORT OF CLEAN LINEN

- Sturdy construction made of anodised aluminium: light-weight, highly manoeuvrable, hygienic
- Upstands on 2 sides
- 4 swivel non-marking wheels Ø 125 mm with circular buffer
- 3, 4 or 5 shelves in anodised aluminium
- Open or closed version with or without doors
- **6 versions:** open – closed on 2 sides – closed on 2 sides + top – closed on 2 sides + back – closed on 2 sides + top + back – with doors

OPTIONS

- 3rd upstand
- Removable rail for hangers
- Brakes on 2 swivel wheels
- Handle



Ref. 1 210 770



Ref. 1 210 752



Ref. 1 210 702



- Upstands on 2 sides



- Upstands on 3 sides
- Ref. 1 210 610 x number of shelves

OPTION

- Removable rail for hangers
- Ref. 1 210 690



MEGEVE	Small	Large
Overall size (L x W x H)	1000 X 650 x 1480 mm	1400 x 650 x 1480 mm
Useful size (L x W x H)	850 x 550 x 1200 mm	1250 x 550 x 1200 mm
Distance between shelves	380 mm	380 mm
Open model	1 210 220	1 210 230
Model with canvas	1 210 221	1 210 231
Model with doors	1 210 222	1 210 232

STARDRESS	Small			Large		
Useful size (L x W) mm	850 x 550			1250 x 550		
Overall size (L x W x H) mm	970 x 620 x 1585			1370 x 620 x 1585		
Number of shelves	3	4	5	3	4	5
Distance between shelves (mm)	420	300	230	420	300	230
Open model	1 210 700	1 210 714	1 210 728	1 210 742	1 210 756	1 210 770
Closed on 2 sides (1)	1 210 702	1 210 716	1 210 730	1 210 744	1 210 758	1 210 772
(1) + back	1 210 704	1 210 718	1 210 732	1 210 746	1 210 760	1 210 774
(1) + back + top	1 210 708	1 210 722	1 210 736	1 210 750	1 210 764	1 210 778
(1) + back + top + doors	1 210 710	1 210 724	1 210 738	1 210 752	1 210 766	1 210 780

Rollbox

TRANSPORT TROLLEY FOR LINEN TRANSPORT

- Structure in electrolytic galvanized steel and walls hooked together
- 3 walls, open on the front side with 2 tight belts
- External size: 800 x 700 x 1800 mm
- 4 swivel wheels Ø 100 mm



Ref. 1 244 100

Vesuve

MOBILE TROLLEY FOR SOILED LINEN

- Mobile large capacity soiled linen bulk trolley
- Strong welded frame
- Entirely made of anodised aluminium: robust, lightweight, hygienic and easy to handle
- Solid heavy-duty base platform in anodised aluminium to support heavy loaded bag
- Large capacity 300 L bag in washable highquality polyester, grey-salmon color, fixed by arge velcro strips
- 4 Swivel non-marking wheels Ø 100 mm with circular buffer, brakes optional
- Delivered with 300 L bag assembled, ready to use



Ref. 1 100 100

Sally & Sally Doppio

MOBILE SACK HOLDER FOR SOILED LINEN

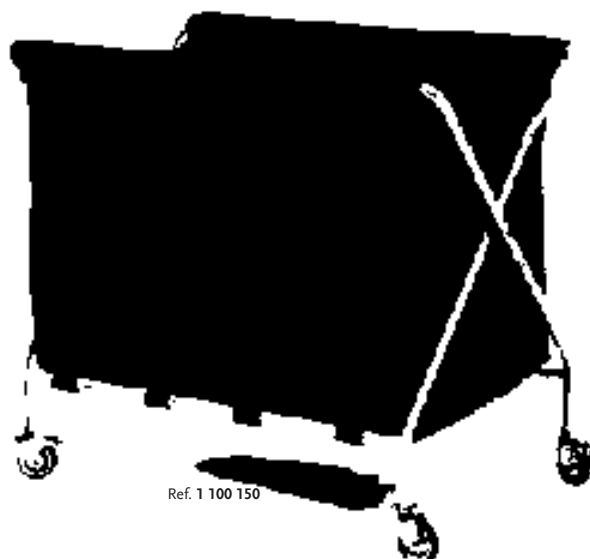
- Sack holder for 1 (Sally) or 2 (Sally Doppio) bags in polyester 160 L for soiled linen
- Entirely made of anodised aluminium: robust, lightweight, hygienic and easy to handle
- 4 Swivel non-marking wheels Ø 100 mm with circular buffer, brakes optional
- Capacity of bags: 160 L or 2 x 160 L
- Delivered with bag(s) assembled, ready to use

Sally
Ref. 1 100 010Sally Doppio
Ref. 1 100 012

Foldable Vesuve & Sally

FOLDABLE MOBILE SACK HOLDER FOR SOILED LINEN

- Foldable structure for Sally (160L) or Vesuve (300L)
- Entirely made of anodized aluminium: robust lightweight, hygienic and easy to handle
- 4 swivel non-marking wheels 100mm, brakes optional
- Delivered with bag(s) assembled, ready to use



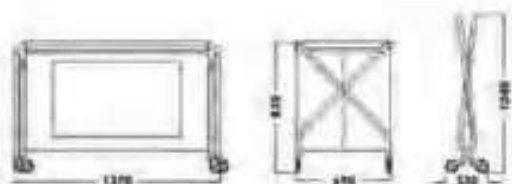
		CODE	Overall size (L x W x H)
SALLY 160 L (without hook*)	Trolley (bag included)	1 100 010	520 x 500 x 1180 mm
	Polyester bag 160 L grey-salmon for Sally	1 250 102	
SALLY DOPIO 2 x 160 L	Trolley (polyester bags included)	1 100 012	840 x 570 x 1300 mm
	Polyester bag 160 L grey-salmon for Sally	1 250 102	
VESUVE	Trolley including polyester bag 300 L	1 100 100	1025 x 675 x 895 mm
	Additional polyester bag 300 L grey-salmon	1 150 100	
FOLDABLE SALLY	Trolley (bag included)	1 100 050	518 x 439 x 1117 mm
FOLDABLE VESUVE	Trolley (bag included)	1 100 150	950 x 600 x 875 mm

* The SALLY trolley is also available with hook to attach to the Florida housekeeping trolley (see Florida)

Baby Dream

SPECIFICATIONS

- Foldable mobile baby cot
- Frame in anodised aluminium, light and robust
- Removable and washable cover
- Washable mattress cover
- Large window on both sides for permanent visual contact with baby
- 4 swivel wheels Ø 75 mm, 2 with brake
- Excellent stability when folded
- Delivered ready to use complete with cover and mattress



Ref. 1 500 001

BABY DREAM

Complete bed including mattress & cover 1 500 001

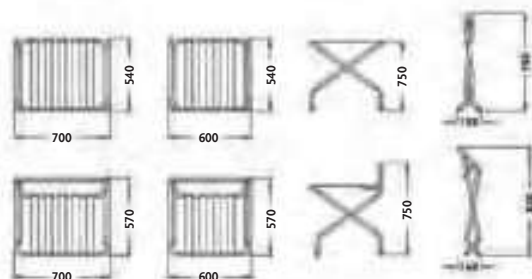
Additional mattress (1200 x 600 x 80 mm) 1 550 003

Additional cover 1 550 004

Valette

SPECIFICATIONS

- Luggage rack in anodised aluminium
- Foldable, ultra-light
- Strong hard-wearing straps
- Available in 2 versions:
 - Silver colour frame with black straps
 - Gold colour frame with black straps
- With or without back-rail for wall protection
- Available in 2 sizes



Ref. 1 700 002



Ref. 1 700 004



Ref. 1 700 003



Ref. 1 700 005

VALETTE

SILVER

GOLD

STRAPS

STANDARD

Without back rail

1 700 000

1 700 002

5

With back rail

1 700 001

1 700 003

JUNIOR

Without back rail

1 700 004

1 700 006

4

With back rail

1 700 005

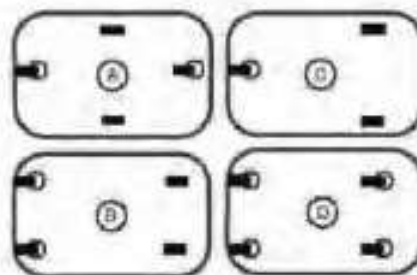
1 700 007

Cortona

- Trolley with mobile bottom which can be automatically raised/lowered depending on weight load
- Made of anodized aluminum: robust lightweight, hygienic and easy to handle
- 4 swivel wheels 125 mm
- Central Spring
- Full wrap-around bumper
- External size: 1030 x 630 x 800 mm
- Volume: 340 L
- Spring resistance: 45 kg



Ref. 1 244 010



CORTONA

Overall size (L x W x H)	1030 x 630 x 800 mm
Useful size (L x W x H)	1000 x 600 x 560 mm
Code	1 244 010

Barbade

MULTI-PURPOSE CONTAINER TROLLEY

- Can be used for transport of soiled or wet linen, or various types or waste
- Not suitable for transport of liquid
- Quality moulded in polyethylene
- Easy to clean and disinfect
- 2 fixed and 2 swivel wheels in polyamide
- Option: lid



BARBADE	135 L	227 L	340 L	450 L
Overall size (L x W x H)	660 x 435 x 660 mm	900 x 660 x 600 mm	1000 x 690 x 715 mm	1330 x 700 x 715 mm
Wheels Ø	65 mm	100 mm	100 mm	100 mm
Code trolley	1 243 813	1 243 822	1 243 834	1 243 845
Code lid	1 254 813	1 254 822	1 254 834	1 254 845

Osaka

MOBILE SACK HOLDER FOR ANY KIND OF BAG FOR SELECTIVE COLLECTION OF SOILED LINEN AND WASTE

FEATURES

- Completely in anodised aluminium
- Base platform in anodised aluminium
- 4 swivel wheels Ø 75 mm with circular buffer
- Exists in 4 versions: mono, double, triple or quadruple
- Exists in 3 sizes: 50 L, 60 L or 110 L
- Bags not included

OPTIONS

- Lids operated with or without pedals
- Large selection of polyester and plastic bags
- Easy roll wheels
- Wheels with brake
- Shock absorber
- Colored lid (green, yellow, blue, red)



Osaka Double 60 L
Ref. 1 181 032



Osaka Triple 110 L
Ref. 1 181 045



Osaka Mono 110 L
Ref. 1 181 013



Osaka Quadruple 60 L
Ref. 1 181 053
+ colored lids



Osaka Mono 60 L
Ref. 1 181 011

OSAKA	Type	Overall size L x W* x H	Wheels Ø mm	Code	Lid	Lids and pedals
MONO	Mono 50 L	350 x 475* x 870 mm	75	1 181 010	1 181 020	1 181 030
	Mono 60 L	400 x 530* x 870 mm	75	1 181 011	1 181 021	1 181 031
	Mono 110 L	500 x 530* x 870 mm	75	1 181 013	1 181 023	1 181 033
DOUBLE	Double 60 L	700 x 530* x 870 mm	75	1 181 012	1 181 022	1 181 032
	Double 110 L	900 x 530* x 870 mm	75	1 181 067	1 181 068	1 181 069
TRIPLE	Triple 60 L	1000 x 530* x 870 mm	75	1 181 041	1 181 042	1 181 043
	Triple 110 L	1300 x 530* x 870 mm	75	1 181 045	1 181 046	1 181 047
QUADRUPLE	Quadruple 60 L (square)	700 x 1025* x 870 mm	75	1 181 026	1 181 027	1 181 028
	Quadruple 60 L (in line)	1300 x 530* x 870 mm	75	1 181 051	1 181 052	1 181 053
	Quadruple 110 L (square)	900 x 1025* x 870 mm	75	1 181 059	1 181 060	1 181 061
OPTION	Locking pedal					1 181 103

* Overall dimension shown for trolleys without pedals. Please add 20 mm extra width for pedals



LINEN BAGS IN POLYESTER

- Striped bags in washable polyester, with nylon string and fix-lock system



- Holder ring in stainless steel instead of rubber for total hygiene.
- The heavier the load, the better it holds.

COLOUR	60 L	120 L
Blue-white	1 158 811	1 158 821
Yellow-white	1 158 812	1 158 822
Green-white	1 158 813	1 158 823
Red-White	1 158 814	1 158 824



CLEANING TROLLEY IN ANODISED ALUMINIUM

- Solid base platform in Volkern for heavy loaded bags
- 2 removable shelves in Volkern for storage of cleaning products and accessories
- Holder frame for 60 L plastic bag
- Holding platform for buckets or vacuum cleaner
- 4 swivel wheels Ø 100 mm with circular buffer to protect walls and trolley
- Delivered assembled, accessories not included
- Many accessories to choose



Courchevel 04
Ref. 1 230 004

Courchevel 15
Ref. 1 230 015

Courchevel

Aqua 02 & 04



Aqua 04
Ref. 1 230 204



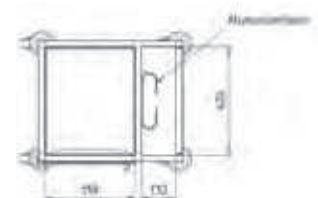
Aqua 02
Ref. 1 230 202

Aqua 06

- Solid base platform in HPL
- 2 removable shelves in HPL for storage of cleaning products & accessories
- Cleaning products reachable from front door and top lid
- Holding platform for broom or vacuum cleaner
- 4 x Ø100mm swivel wheels with circular buffer



Aqua 06
Ref. 1 230 206



COURCHEVEL			AQUA		
Type	04	15	02	04	06
Overall size	1045 x 610 x 1000 mm	1045 x 610 x 1000 mm	700 x 455 x 1067 mm	700 x 930 x 1067 mm	630 x 540 x 1100 mm
Sack holders	60 L	60 L	–	60 L	–
Code	1 230 004	1 230 015	1 230 202	1 230 204	1 230 206
Lid	1 253 010	1 253 010	–	included	included



- Courchevel 15
- Support for mop wringer



- Hook for mop handle

WAP	SWING
1 253 038	Complete
	1 253 031



- Wap





- Swing



- Buckets 6 L / 15 L



- Mop wringer
- Ref. 1 253 001

BUCKETS	Code
	6 L
	1 253 022
	15 L
	1 253 026
	6 L
	1 253 021
	15 L
	1 253 025



www.mercura.com





MINI-BAR ROOM SERVICE CATERING

MINI-BAR RESTOCKING SERVICE TROLLEYS

The OASIS mini-bar service trolley is made 'à la carte'. The interior fitting can be customised to meet your specific requirements.

COMMON SPECIFICATIONS

- Trolley in anodised aluminium, ultra-light and solid
- Side panels and doors in anodised aluminium
- Back panel and top tablet covered with durable Volkern
- Top tray with 25 mm high upstands
- Lock, located on top tray and protected against bumps
- Steering handle
- 40 mm clearance between runners, allowing total flexibility in the organisation of trays and shelves
- Full wrap-around non-marking bumper
- 2 swivel wheels and 2 fixed wheels

POSSIBLE INTERIOR FITTINGS

- Drawers with a useful height of 80 mm on telescopic rails
- Shelves mounted on telescopic rails
- Oasis 335 can be equipped with Euronorm grids or aluminium trays with 20 mm upstand
- Oasis 336 can be equipped with Gastronorm 2/1 grids or aluminium trays with 20 mm upstand

OTHER APPLICATIONS

- The OASIS can also be used for secured transport or storage of:
- Conference equipment
 - Confidential documents
 - Cold meals

Oasis 370

EASY TO HANDLE AND GOOD LOAD CAPACITY



Ref. 1 480 104
(excl. drawers)



● Central lock on top shelf



● Doors can fold wide open and are secured with magnets



● Steering handle

Oasis 335

COMPATIBLE WITH EURONORM FORMAT ACCESSORIES

- 370 x 530 mm



Ref. 1 480 102
(excl. drawers, shelves & grids)

Oasis 333

LARGE CAPACITY TROLLEY



Ref. 1 480 101
(excl. drawers & shelf)

Oasis 336

COMPATIBLE WITH GASTRONORM 2/1 FORMAT

- 2 X (325 x 530) mm

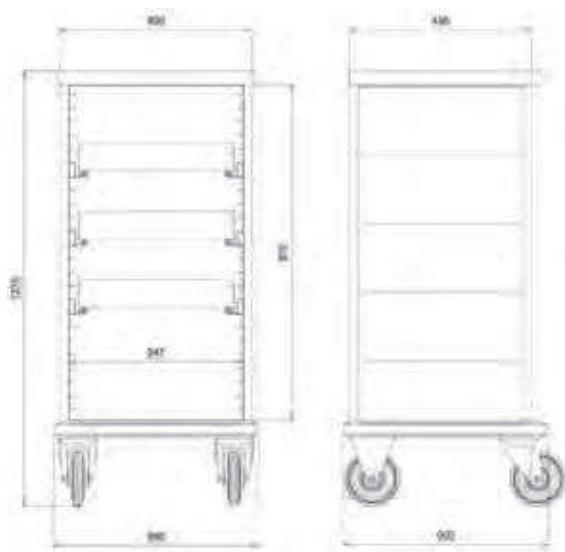


Ref. 1 480 103
(excl. drawers & tray)

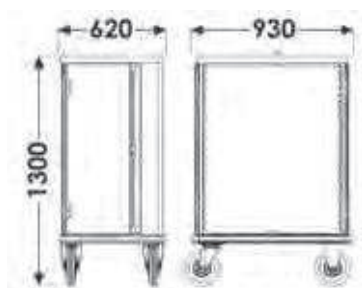
Oasis mini



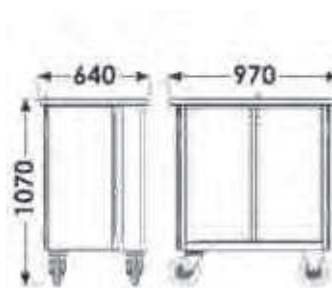
Ref. 1 480 109
(excl. drawers and decor)



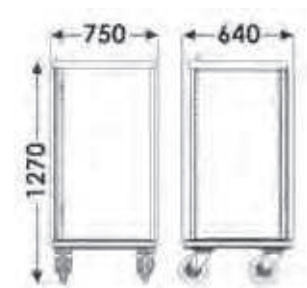
OASIS	Mini	370	335	336	333
Useful sizes (L x W x H) mm	600 x 430 x 970	770 x 530 x 970	2 x (370 x 530 x 770) Euronorm	530 x 650 x 970 Gastronorm 2/1	970 x 530 x 970
Useful sizes drawers (L x W x H) mm	547 x 400 x 80	720 x 500 x 80	320 x 500 x 80	470 x 620 x 80	920 x 500 x 80
Wheels Ø	160 mm	160 mm	160 mm	160 mm	200 mm
Ref. Trolley without interior fitting	1 480 109	1 480 104	1 480 102	1 480 103	1 480 101
Ref. shelf on telescopic rails	1 458 005	1 458 004	1 458 002	1 458 003	1 458 001
Ref. drawer on telescopic rails	1 458 106	1 458 104	1 458 102	1 458 103	1 458 101



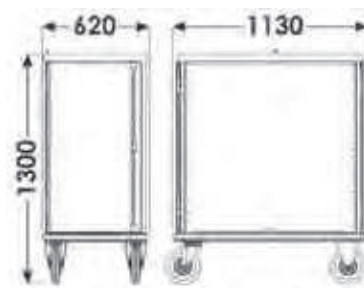
● Oasis 370



● Oasis 335



● Oasis 336



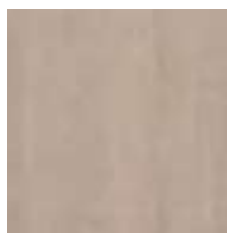
● Oasis 333

Decors

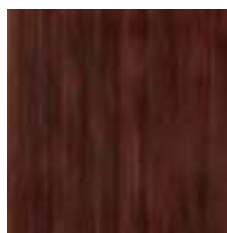
- Possibility to decorate your trolley with long-lasting decor panelling
- Choice of 5 colours
- Please contact us for more information and order reference codes



Mahogany



Ceruse Oak



Wenge



Black



Grey

- ColorS may vary subject to stock availability

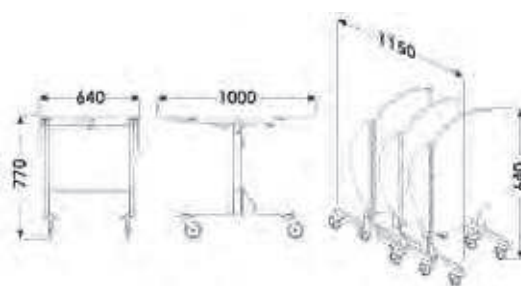
Robinson

SPECIFICATIONS

- Room service table
- Round ultra-resistant table top with oven-cooked epoxy coating
- Base in anodised aluminium
- Tabletop with pivot system for nesting during storage
- 4 swivel wheels Ø 100 mm with circular buffer, 2 with brakes



Ref. 1 820 001



- Rounded edges

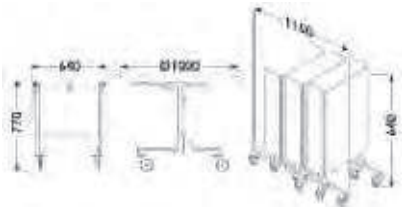
Quebec

SPECIFICATIONS

- Same specifications as for Robinson table
- Square tabletop



Ref. 1 820 051



Fuego

SPECIFICATIONS

- Hot box in stainless steel with inside panels in aluminium
- Built-in thermostat to keep the temperature at the optimum level
- For 220V connection
- Top carrying handle
- Attachable to Robinson/Quebec tables

OPTIONAL

- L fixing support for Robinson and Quebec
- Ref. 1 752 070



- Standard: 3 fixed shelves, for 4 levels with 110 mm clearance
- Ref. 1 720 101



- Hot box Fuego in option

FUEGO

Overall dimensions (D x W x H)

410 x 370 x 530 mm

Useful dimensions (D x W x H)

390 x 330 x 330 mm

Dinastar

SPECIFICATIONS

- Multi-purpose clearing trolley, frame in anodized aluminium
- 2 or 3 removable shelves in durable Volkern panels (choice of 4 colours)
- 15 mm upstand on 4 sides
- 4 x Ø 100mm swivel wheels with circular buffers

OPTIONS

- Bacbis 170 or 570 (p. 65)
- Starbox: box in anodised aluminium (p. 65)
- Wheels with brake



Dinastar 2 Small Blue
Ref. 1 220 404



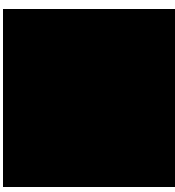
Dinastar 3 Small Blue
Ref. 1 220 414



● Removable shelf for easy cleaning



● 15 mm upstands to prevent objects from falling



Grey

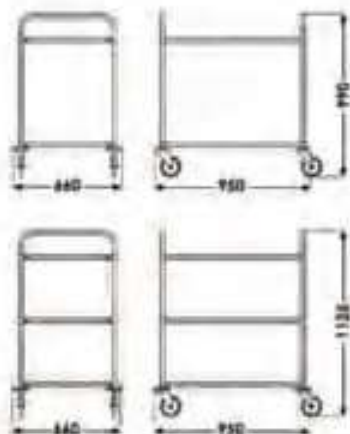


Lavender blue

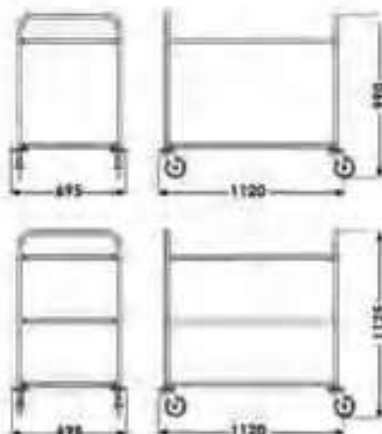


Mahogany

DINASTAR	Small		Large	
Useful size shelves (L x H)	830 x 540 mm		1000 x 575 mm	
Number of shelves	2	3	2	3
Overall size (L x W x H)	950 x 660 x 990 mm	950 x 660 x 1125 mm	1120 x 695 x 990 mm	1120 x 695 x 1125 mm
Gap between shelves	610 mm	360 mm	610 mm	360 mm
Ref. Grey	1 220 400	1 220 410	1 220 440	1 220 450
Ref. Lavender Blue	1 220 404	1 220 414	1 220 444	1 220 454
Ref. Mahogany	1 220 402	1 220 412	1 220 442	1 220 452



● Small



● Large

Dakota

SPECIFICATIONS

- Clearing trolley entirely in anodised aluminium
- 2 or 3 shelves in anodised aluminium
- 40 mm upstands on 3 sides
- 4 x 100mm Ø with corner buffers

OPTIONS

- Bacbis 170 or 570 and Starbox (see p. 65)
- Wheels with brake



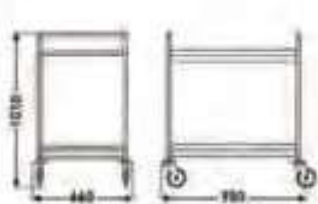
● 40 mm upstands on 3 sides



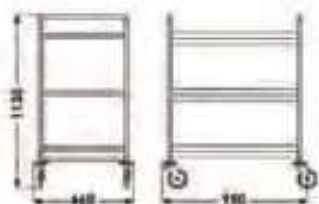
Dakota 2 Small
Ref. 1 220 408



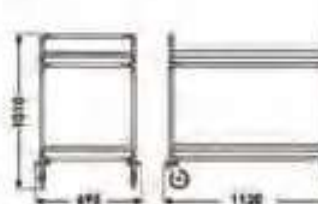
Dakota 3 Large
Ref. 1 220 458



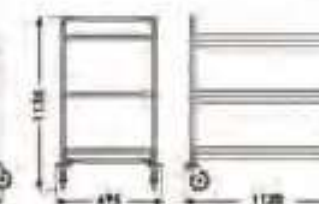
● Small



● Small



● Large



● Large

DAKOTA	Small		Large	
Number of shelves	2	3	2	3
Overall size (L x W x H)	950 x 660 x 1010 mm	950 x 660 x 1135 mm	1120 x 695 x 1010 mm	1120 x 695 x 1135 mm
Useful size of slides (L x W)	830 x 560 mm	830 x 560 mm	1000 x 595 mm	1000 x 595 mm
Useful size between slides	580 mm	330 mm	580 mm	330 mm
Ref.	1 220 408	1 220 418	1 220 448	1 220 458

Darwin

SPECIFICATIONS

- Anodized aluminum trolley
- Closed on 3 sides covered with Volkern panels
- Choice of colors: ceruse oak, mahogany, wenge or dark grey
- 3 Removable Volkern shelves, easy to clean
- Useful size per shelf = 830 x 540 mm
- Gap between shelves = 360 mm
- Overall size = 950 x 660 x 1125 mm
- 4 swivel wheels Ø 100 mm with circular buffers

OPTIONS

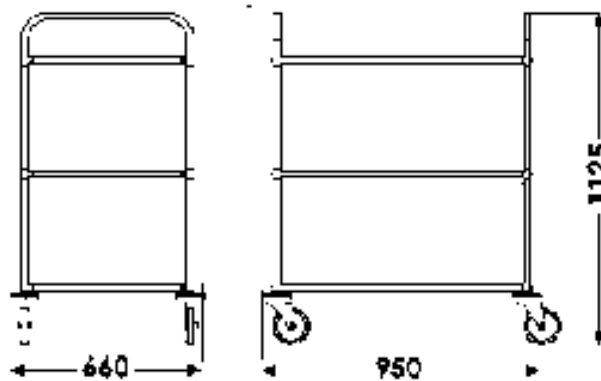
- Wheels with brake
- Multi-purpose fixing bar for accessories
- With doors



Darwin Grey
Ref. 1 220 480
+ doors in option



Darwin
Ref. 1 220 480



● Removable shelves

● 4 x 15 mm upstand

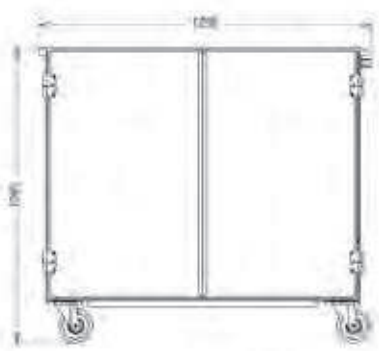
DARWIN

Useful size shelves	830 x 540 mm
Number of shelves	3
Overall size (L x W x H)	950 x 660 X 1125 mm
Gap between shelves	360 mm
Ref. Grey	1 220 480
Ref. Mahogany	1 220 481
Ref. Ceruse Oak	1 220 482

Doha

SPECIFICATIONS

- Closed trolley with doors in anodized aluminium with decor (choice of grey, mahogany or ceruse oak)
- 2 x 5 runners for 500 x 500 mm glass washer racks (not included)
- Top shelf with 15 mm upstand
- 2 Steering handle
- 4 x Ø 160 mm swivel wheels in non-marking grey rubber
- 2 grey rubber corner buffers



DOHA

Ref. Grey	1 420 380
Ref. Mahogany	1 420 381
Ref. Ceruse Oak	1 420 382

Options



- Removable waste sackholder 110 L
- Ref. 1 180 421



- Platinal tray in anodized aluminium 500 x 500 mm
- Ref. 1 620 031



- Starbox in anodised aluminium
- Ref. 1 282 230

Mono

TRAY CLEARING AND RACKING TROLLEY

Racking Trolleys for transport, storage and self-clearing.
Available in **Gastronorm GN 1/1**, **Gastronorm GN 2/1**, **Euronorm** and **Pâtisseries**

SPECIFICATIONS

- Frame in anodized aluminium, light weight and hard wearing
- Number of runners: 6, 10 or 12
- Standard runners: L30/40
- Runners for Gastronorm containers: L16/16
- Clearance between runners: 100, 130 or 150 mm
- 4 x Ø 100 mm Easy Roll swivel wheels in non-marking grey rubber with circular buffers
- Closed version available = Porto (top shelf with upstands and steering handle)
- Delivered without accessories

OPTIONS

- Top shelf in Volkern (blue, vanilla or grey)
- Top shelf with 40 mm upstand
- Handle
- Folding side shelf
- Wheels with brakes
- Large choice of trays, plates and accessories (see p. 65)



Mono GN 1/1
Ref. 1 430 131
+ option Top shelf with 40 mm upstand
Ref. 1 430 511



Mono GN 1/1
Ref. 1 430 103
+ option Top shelf in Volkern
Ref. 1 430 501



Mono GN 2/1
Ref. 1 430 167

Options



- Top shelf in Volkern
- Ref. 1 430 501



- Top shelf with 40 mm upstand
- Ref. 1 430 511



- Handle
- Ref. 1 430 520



- Folding side shelf
- Ref. 1 430 521

Format	Tray dimensions	L x W
Gastronorm GN 1/1	325 x 530 mm	620 x 455 mm
Euronorm - EN	370 x 530 mm	620 x 500 mm
Patissier - P	400 x 600 mm	690 x 530 mm
Gastronorm GN 2/1	650 x 530 mm	740 x 660 mm

Height Of Trolley			
Clearance between runners	6 runners	10 runners	12 runners
100 mm	830 mm	1230 mm	1430 mm
130 mm	1010 mm	1585 mm	1845 mm
150 mm	1130 mm	1795 mm	–

* Above 1500 mm high we reinforce the structure with an extra tube

REFERENCES MONO								
Number of runners	6			10			12	
Clearance between runners	100 mm	130 mm	150 mm	100 mm	130 mm	150 mm	100 mm	130 mm
Gastronorm GN 1/1	1 430 101	1 430 102	1 430 103	1 430 131	1 430 132	1 430 133	1 430 161	1 430 162
Euronorm	1 430 111	1 430 112	1 430 113	1 430 141	1 430 142	1 430 143	1 430 171	1 430 172
Patissier	1 430 121	1 430 122	1 430 123	1 430 151	1 430 152	1 430 153	1 430 181	1 430 182
Gastronorm GN 2/1	1 430 106	1 430 107	1 430 108	1 430 136	1 430 137	1 430 138	1 430 166	1 430 167

REFERENCES MONO PORTO								
Number of runners	6			10			12	
Clearance between runners	100 mm	130 mm	150 mm	100 mm	130 mm	150 mm	100 mm	130 mm
Gastronorm GN 1/1	1 430 101-100	1 430 102-100	1 430 103-100	1 430 131-100	1 430 132-100	1 430 133-100	1 430 161-100	1 430 162-100
Euronorm	1 430 111-100	1 430 112-100	1 430 113-100	1 430 141-100	1 430 142-100	1 430 143-100	1 430 171-100	1 430 172-100
Patissier	1 430 121-100	1 430 122-100	1 430 123-100	1 430 151-100	1 430 152-100	1 430 153-100	1 430 181-100	1 430 182-100
Gastronorm GN 2/1	1 430 106-100	1 430 107-100	1 430 108-100	1 430 136-100	1 430 137-100	1 430 138-100	1 430 166-100	1 430 167-100

Twin

TRAY CLEARING AND RACKING TROLLEY

Racking Trolleys for transport, storage and self-clearing.

Available in **Gastronorm GN 1/1, Gastronorm GN 2/1, Euronorm and Pâtissier**

SPECIFICATIONS

- Frame in anodized aluminium, light weight and hard wearing
- Number of runners: 6, 10 or 12
- Standard runners: L30/40
- Runners for Gastronorm containers: L16/16
- Clearance between runners: 100, 130 or 150 mm
- 4 x Ø 100 mm Easy Roll swivel wheels in non-marking grey rubber with circular buffers
- Closed version available = Porto (top shelf with upstands and steering handle)
- Delivered without accessories

OPTIONS

- Top shelf in Volkern (blue, vanilla or grey)
- Top shelf with 40 mm upstand
- Handle
- Folding side shelf
- Wheels with brakes
- Large choice of trays, plates and accessories (see p. 65)



Twin GN 1/1, 2 x 10
Ref. 1 430 231
+option Top shelf with 40 mm upstand
Ref. 1 430 512
+ option Folding side shelf
Ref. 1 430 521



Twin GN 1/1, 2 x 12
Ref. 1 430 261

Options



- Top shelf in Volkern
- Ref. 1 430 502



- Top shelf with 40 mm upstand
- Ref. 1 430 512



- Handle
- Ref. 1 430 520



- Folding side shelf
- Ref. 1 430 521

Format	Tray dimensions	L x W
Gastronorm GN 1/1	325 x 530 mm	620 x 815 mm
Euronorm - EN	370 x 530 mm	620 x 905 mm
Patissier - P	400 x 600 mm	690 x 965 mm

Height Of Trolley			
Clearance between runners	6 runners	10 runners	12 runners
100 mm	830 mm	1230 mm	1430 mm
130 mm	1010 mm	1530 mm	1850 mm
150 mm	1130 mm	1730 mm	–

* Above 1500 mm high we reinforce the structure with an extra tube

REFERENCES TWIN								
Number of runners	2 x 6			2 x 10			2 x 12	
Clearance between runners	100 mm	130 mm	150 mm	100 mm	130 mm	150 mm	100 mm	130 mm
Gastronorm GN 1/1	1 430 201	1 430 202	1 430 203	1 430 231	1 430 232	1 430 233	1 430 261	1 430 262
Euronorm	1 430 211	1 430 212	1 430 213	1 430 241	1 430 242	1 430 243	1 430 271	1 430 272
Patissier	1 430 221	1 430 222	1 430 223	1 430 251	1 430 252	1 430 253	1 430 281	1 430 282

REFERENCES TWIN PORTO								
Number of runners	2 x 6			2 x 10			2 x 12	
Clearance between runners	100 mm	130 mm	150 mm	100 mm	130 mm	150 mm	100 mm	130 mm
Gastronorm GN 1/1	1 430 201-100	1 430 202-100	1 430 203-100	1 430 231-100	1 430 232-100	1 430 233-100	1 430 261-100	1 430 262-100
Euronorm	1 430 211-100	1 430 212-100	1 430 213-100	1 430 241-100	1 430 242-100	1 430 243-100	1 430 271-100	1 430 272-100
Patissier	1 430 221-100	1 430 222-100	1 430 223-100	1 430 251-100	1 430 252-100	1 430 253-100	1 430 281-100	1 430 282-100

Triade

TRAY CLEARING AND RACKING TROLLEY

Racking Trolleys for transport, storage and self-clearing.

Available in **Gastronorm GN 1/1**, **Gastronorm GN 2/1**, **Euronorm** and **Patissier**

SPECIFICATIONS

- Frame in anodized aluminium, light weight and hard wearing
- Number of runners: 6, 10 or 12
- Standard runners: L30/40
- Runners for Gastronorm containers: L16/16
- Clearance between runners: 100, 130 or 150 mm
- 4 x Ø 100 mm Easy Roll swivel wheels in non-marking grey rubber with circular buffers
- Closed version available = Porto (top shelf with upstands and steering handle)
- Delivered without accessories

OPTIONS

- Top shelf in Volkern (blue, vanilla or grey)
- Top shelf with 40 mm upstand
- Handle
- Folding side shelf
- Wheels with brakes
- Large choice of trays, plates and accessories (see p. 65)



Triade GN 1/1, 3 x 10
Ref. 1 430 331
+ option Top shelf with 40 mm upstand
Ref. 1 430 513



Triade Porto GN 1/1, 3 x 10
Ref. 1 430 331-100

Options



- Top shelf in Volkern
- Ref. 1 430 503



- Top shelf with 40 mm upstand
- Ref. 1 430 513



- Handle
- Ref. 1 430 520



- Folding side shelf
- Ref. 1 430 521

Format	Tray dimensions	L x W
Gastronorm GN 1/1	325 x 530 mm	620 x 1175 mm
Euronorm - EN	370 x 530 mm	620 x 1310 mm
Patissier - P	400 x 600 mm	690 x 1400 mm

Height Of Trolley			
Clearance between runners	6 runners	10 runners	12 runners
100 mm	830 mm	1230 mm	1430 mm
130 mm	1010 mm	1530 mm	1850 mm
150 mm	1130 mm	1730 mm	–

* Above 1500 mm high we reinforce the structure with an extra tube

REFERENCES TRIADE								
Number of runners	3 x 6			3 x 10			3 x 12	
Clearance between runner	100 mm	130 mm	150 mm	100 mm	130 mm	150 mm	100 mm	130 mm
Gastronorm GN 1/1	1 430 301	1 430 302	1 430 303	1 430 331	1 430 332	1 430 333	1 430 361	1 430 362
Euronorm	1 430 311	1 430 312	1 430 313	1 430 341	1 430 342	1 430 343	1 430 371	1 430 372
Patissier	1 430 321	1 430 322	1 430 323	1 430 351	1 430 352	1 430 353	1 430 381	1 430 382

REFERENCES TRIADE PORTO								
Number of runners	3 x 6			3 x 10			3 x 12	
Clearance between runners	100 mm	130 mm	150 mm	100 mm	130 mm	150 mm	100 mm	130 mm
Gastronorm GN 1/1	1 430 301-100	1 430 302-100	1 430 303-100	1 430 331-100	1 430 332-100	1 430 333-100	1 430 361-100	1 430 362-100
Euronorm	1 430 311-100	1 430 312-100	1 430 313-100	1 430 341-100	1 430 342-100	1 430 343-100	1 430 371-100	1 430 372-100
Patissier	1 430 321-100	1 430 322-100	1 430 323-100	1 430 351-100	1 430 352-100	1 430 353-100	1 430 381-100	1 430 382-100

Vancouver

SPECIFICATIONS

- Closed trolley with 2 compartments sized at Gastronorm 1/1 or Euronormformat
- 2 x 20 runners with 40 mm clearance
- Frame, side and rear panels in anodised aluminium
- Top in durable scratch-proof grey Volkern with 40 mm upstands
- 4 x Ø 100 mm easy roll swivel wheels in non-marking grey rubber with circular buffers
- Interior fitting not included

OPTIONS

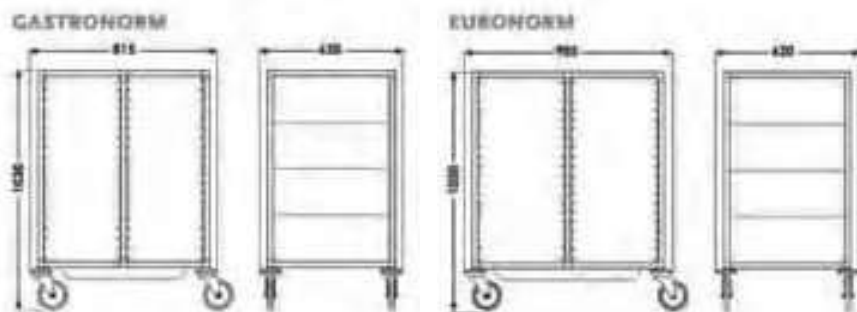
- Large choice of plates, trays, and accessories (see p. 65)
- With doors
- Brakes on 2 wheels



Vancouver GN 1/1
Ref. 1 420 290



- 40 mm spacing between runners for complete flexibility in positioning trays and grids



VANCOUVER

Number of runners	2 x 20	
Clearance between runners	40 mm	
Format	Gastronorm GN 1/1	Euronorm
Useful size (L x W)	530 x 325 mm	530 x 370 mm
Overall size (L x W x H)	815 x 620 x 1030 mm	905 x 620 x 1030 mm
Réf. Vancouver (without doors)	1 420 290	1 420 292
Réf. Vancouver Porto (with doors)	1 420 291	1 420 293

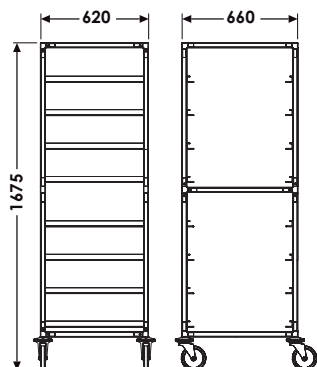
Watson 8

DISHWASHER RACKING TROLLEY

- Anodized aluminium trolley
- 4 heavy duty swivel wheels
- Dishwasher racks not included

SPECIFICATIONS

- 8 racks
- 4 x Ø 100 mm easy roll swivel wheels in non-marking grey rubber with circular buffers



Watson 8
Ref. 1 420 362



- Option: Drip tray
- Ref. 1 620 031



- 'U' shaped runners to prevent racks from tipping over during transport

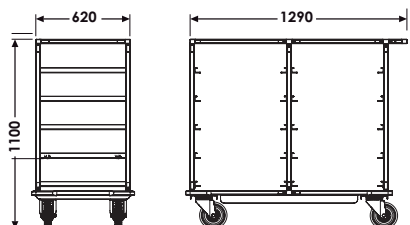
Watson 2x5

DISHWASHER RACKING TROLLEY

- Anodized aluminium trolley
- 4 heavy duty swivel wheels
- Dishwasher racks not included

SPECIFICATIONS

- 2 x 5 racks
- top shelf in Volkern with 15mm upstand
- Steering handle
- 4 x Ø 125 mm easy roll swivel wheels in non-marking grey rubber
- Grey rubber corner buffers



Watson 2 x 5
Ref. 1 420 363

WATSON	8	2x5
Number of runners	8	10
Clearance between runners	170 mm	170 mm
Useful size (L x W)	500 x 500 mm	500 x 500 mm
Overall size (L x W x H)	620 x 660 x 1675 mm	620 x 1290 x 1100 mm
Ref.	1 420 362	1 420 363



- 4 grey rubber corner buffers

Savarin

SPECIFICATIONS

- Closed trolley with 35 runners with 40 mm clearance
- Entirely in anodised en aluminium: light-weight and robust
- Door opens at 270° angle
- Available for GN 1/1, 2/1 and Pâtissier (600 x 400 mm) size
- 4 heavy-duty easy roll swivel wheels Ø 100 mm in non-marking grey rubber with circular buffers to protect interior and trolley
- Plates and trays not included

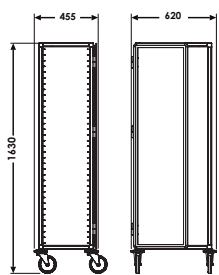
OPTIONS

- Large choice of plates, trays, and accessories (see p. 65)
- Lock for door
- Decor panelling on request
- Brakes on 2 wheels

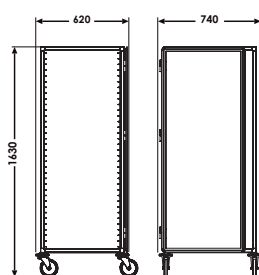


Savarin GN 2/1
Ref. 1 120 957
+ brakes optional

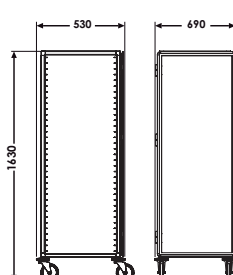
GASTRONORM 1/1



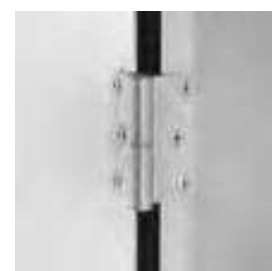
GASTRONORM 2/1



PATISSIER



● Door opens at 270°



SAVARIN

Number of runners	35		
Clearance between runners	40 mm		
Format	Gastronorm GN 1/1	Gastronorm GN 2/1	Pâtissier
Useful size (L x W)	325 x 530 mm	530 x 650 mm	600 x 400 mm
Overall size (L x W x H)	455 x 620 x 1630 mm	620 x 740 x 1630 mm	530 x 690 x 1630 mm
Ref.	1 120 956	1 120 957	1 120 958

Accessories



- Polypro: reinforced polyester



- Steward Granit/Teck
- Other colours on request



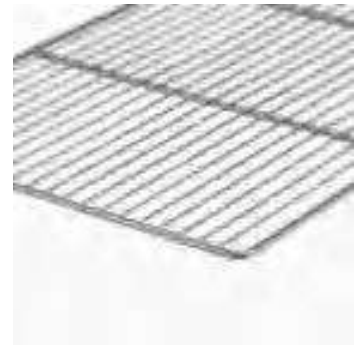
- Folding shelf
- Ref. 1 351 057



- Platinal: plate in anodised aluminium with welded corners



- Trattoria: plate in anodised aluminium with open corners



- Grid in stainless steel



- GN Containers in stainless steel 18/10



- Polybac (GN)
- Ref. 1 623 311



- Starbox in anodised aluminium
- Ref. 1 282 230



- Bacbis: clip-on watertight container
- Height: 170 mm
- Ref. 1 252 100



- Bacbis: clip-on watertight container
- Height: 570 mm
- Ref. 1 252 110



www.mercura.com



HANDLING

Alaska (200 kg)

PLATFORM TROLLEY IN ALUMINIUM

SPECIFICATIONS

- Platform truck with 1 panel with steering handle
- Sturdy construction made of aluminium
- Maximum load capacity of 200 Kg
- Antibacterial design with smooth easy to clean surfaces
- 4 solid rubber wheels, 2 fixed and 2 swivel



LUGANO

ALASKA

BRAZILIA

Maximum load	400 Kg		200 Kg		400 Kg
Type		N°1	N°2	N°3	
Size platform (L x W)	1200 x 750 mm	800 x 550 mm	1000 x 650 mm	1200 x 750 mm	1200 x 750 mm
Overall size (L x W x H)	1255 x 750 x 990 mm	870 x 550 x 100 mm 0	1070 x 650 x 1000 mm	1270 x 750 x 1000 mm	1310 x 750 x 990 mm
Ø rubber wheels	200 mm	160 mm	160 mm	160 mm	200 mm
Code	1 440 100	1 440 201	1 440 202	1 440 203	1 440 000

Lugano (400 kg)

PLATFORM TROLLEY IN ALUMINIUM

SPECIFICATIONS

- Platform truck with 1 panel with steering handle
- Sturdy construction made of aluminium
- Maximum load capacity of 400 Kg
- Antibacterial design with smooth easy to clean surfaces
- 4 solid rubber wheels, 2 fixed and 2 swivel



Brazilia

PLATFORM TROLLEY IN ALUMINIUM

SPECIFICATIONS

- Platform truck with 2 panels with steering handle
- Sturdy construction made of aluminium
- Maximum load capacity of 400 Kg
- Antibacterial design with smooth easy to clean surfaces
- 4 solid rubber wheels, 2 fixed and 2 swivel



Romano

PLATFORM TRUCK IN STEEL TUBE WITH 1 END PANEL

SPECIFICATIONS

- Frame and push handle in strong steel tube
- Platform and end 18 mm Multiplex wood panel
- Available in 4 sizes
- Maximum load from 350 to 500 Kg
- Solid rubber Ø 200 mm wheels, 2 fixed and 2 swivel

OPTION

- Pneumatic wheels Ø 260 mm



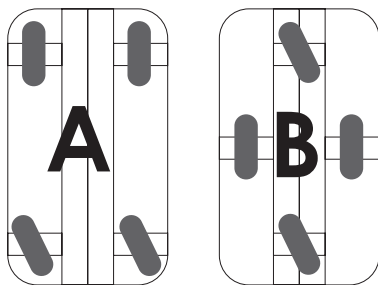
N°1
Ref. 1 441 001

N°2
Ref. 1 441 002

N°3
Ref. 1 441 003

N°4
Ref. 1 441 004

WHEELS SETUP



Setup B:
Diamond shaped layout,
for better manoeuvrability
with heavy loads



- Sliding Multiplex panel
18 mm to transport
large volume

ROMANO	N°1	N°2	N°3	N°4
Maximum load	350 Kg	500 Kg	500 Kg	500 kg
Size platform	800 mm	1000 mm	1200 mm	1500 mm
Overall size (L x W)	900 x 550 mm	1100 x 650 mm	1300 x 750 mm	1600 x 750 mm
Height and panel	530 mm	530 mm	530 mm	530 mm
Wheel setup	A	A	A	B
Code	1 441 001	1 441 002	1 441 003	1 441 004

Rali

SHELF TROLLEY WITH REMOVABLE SHELVES

SPECIFICATIONS

- Sturdy construction made of steel tube
- 7 or 3 'L' supports for shelves
- Platform and removable shelves in wood panel
- 4 wheels, 2 fixed and 2 swivel



Ref. 1 441 103



Ref. 1 441 107

RALI	RALI 03	RALI 07
Overall size (L x W x H)	860 x 550 x 1110 mm	1300 x 630 x 1850 mm
Useful size (L x W)	760 x 500 mm	1220 x 610 mm
Distance between shelves	380 mm	170 mm
Height top shelf	1000 mm	1600 mm
Height inferior shelf	210 mm	260 mm
Load	200 Kg	300 Kg
Ø wheels	100 mm	200 mm
Code	1 441 103	1 441 107

Diabalu

HAND TRUCK IN ALUMINIUM

SPECIFICATIONS

- Maximum load capacity 150 Kg
- 2 rubber wheels Ø 200 mm
- Standard foot plate 450 x 200 mm
- Sturdy construction

OPTIONS

- 'V' support legs for easy horizontal loading
- Folding foot plate in aluminium 700 mm long
- Extra deep foot plate 450 x 300 mm
- Pneumatic wheels Ø 260 mm



Ref. 1 340 010



Ref. 1 340 011
+ option folding foot plate
in aluminium 700 mm long
Ref. 1 354 010



Ref. 1 340 011
+ options:
● 'V' support legs
Ref. 1 354 021
● Folding foot plate 700 mm
Ref. 1 354 010



● Pneumatic wheels



● Folding foot plate 700 mm long
● Ref. 1 354 010



● Deep foot plate 450 x 300 mm
● Ref. 1 354 041



● 'V' support legs
● Rubber wheels
Ref. 1 354 019
● Pneumatic wheels
Ref. 1 354 021

DIABALU

Rubber

Pneumatic

Overall size (L x W)

1270 x 480 mm

1270 x 530 mm

Maximum load

150 Kg

150 Kg

Ø wheels

200 mm

260 mm

Code

1 340 010

1 340 011

Maintenance

MAINTENANCE TROLLEY (AVAILABLE IN TWO SIZES)

SPECIFICATIONS

- 2 fixed shelves in aluminium
- Sturdy hard-wearing worktop in Multiplex
- Platform in Volkern
- 4 wheels Ø 160 mm, 2 fixed and 2 swivel
- Hook to support ladders or neon lights, ladder not included
- Doors included

● Worktop
in Multiplex



● Hook for ladders
or neon lights, ...

● Platform
in Volkern



MAINTENANCE	104	131
Overall size (L x W x H)	1040 x 510 x 980 mm	1310 x 510 x 980 mm
Useful size worktop (L x W)	760 x 300 mm	760 x 300 mm
Useful size shelves (L x W)	760 x 440 mm	760 x 440 mm
Code	1 330 104	1 330 131

HOTEL REFERENCES

ALGERIA

Sheraton Club des Pins, Alger
Sheraton Oran, Oran
Hilton, Alger

AUSTRIA

Thermal Hotel Fontana, Bad Radkersburg
Hotel Zentral, Kirchberg
Falkensteiner Hotel, Rennweg
Hotel Gut Brnadlhof, Saalfelden
ThermenResort, Warmbad-Villach

ARGENTINA

Alvear Palace Hotel, Buenos Aires

BELGIUM

Conrad, Bruxelles
Dorint Spa, Balmoral
Hotel Royal Windsor, Bruxelles
NH Hotel, Brugge
Pullman, Zaventem
Hilton, Antwerpen

BAHREIN

Al Matrook Tower Hotel, Manama
Downtown Rotana, Manama
Ritz-Carlton, Manama

BRAZIL

Kubitschek Palace Brazilia
Copacabana Palace
Sofitel Salvador
Sofitel, Rio
Sheraton, Rio

BULGARIA

Sheraton Hotel, Sofia

CAMEROON

Planet Hotel, Douala

CANADA

Hilton, Laval
Sheraton, Laval
W Hotel, Montreal
Trump Hotel, Vancouver

CROATIA

Hotel Bellevue, Sibenik
Hotel Briig, Split
Hotel Marvie, Split
Hotel Palace Judita, Split
Hotel Borovnik, Tisno
Hotel admiral, Zagreb

CYPRUS

Amathus Beach Hotels, Limassol
Four Seasons Hotel, Limassol
Mediterranean Beach Hotel, Limassol
St Raphael Resort, Limassol
Elysium Hotel, Paphos
Thanos Hotels

CZECH REPUBLIC

Radisson SAS Alcron Hotel, Praha
Angelo Hotel, Praha
Intercontinental, Praha

DOMINICAN REPUBLIC

Hard Rock Hotel, Punta Cana

EGYPT

Savoy, Sharm El Sheikh
Mövenpick, Cairo-Media City
Conrad, Le Caire
Fairmont, Heliopolis

St George Hotel, Louxor

ESTONIA

Radisson SAS Astlanta Hotel, Tallinn

FINLAND

Radisson Royal Hotel, Helsinki
Scandic Grand Marina, Helsinki
Sokos Hotel, Vantaa
Crowne Plaza, Helsinki
Klaus K, Helsinki

FRANCE

Disneyhotel, Chessy
Hotel Royal Barrière, Deauville
Intercontinental, Marseille
SBM, Monaco
Park Hyatt, Nice
Bristol, Paris
Hotel Ritz, Paris
Le Crillon, Paris
Shangri-La, Paris

GERMANY

Romantik Seehotel, Ahlbecker Hof
Thermenhotel Quellenhof, Bad Füssing
Excelsior Hotel, Berlin
Hotel Adlon, Berlin
25hours Hotel Bikini, Berlin
The Westin Grand, Berlin
Schloss, Elmau
Hilton, Frankfurt
Meridien Park Hotel, Frankfurt
The Westin Grand Frankfurt
Villa Kennedy, Frankfurt
The New Gen Hotels, Hamburg
Crowne Plaza, Heidelberg
Hotel Gude, Kassel
Falkenstein Grand Kempinski,
Königstein Im Taunus
H10 Hotel Berlin Ku'damm
Excelsior Hotel Ernst, Koln
Arabella Hotel, München
Maritim Hotel, Stuttgart
Althoff Hotel am Schlossgarten, Stuttgart
Sheraton, Hannover

GHANA

Golden Tulip, Accra

GREECE

Astir Palace, Athens
Divanis Caravel Athens
King George Athens
New Hotel, Athens
Aldemar Crete
Cretan Malia Park Resort, Crete
Elounda Bay Palace Crete
Miraggio Thermal Spa Resort, Halkidiki
Gennadi Grand Resort, Rhodes

EQUATORIAL GUINEA

Hotel 3 de Agosto, Malabo

HOLLAND

Amadi Panorama Hotel, Amsterdam
Hilton Amsterdam
Hotel Cornelisz, Amsterdam
Krasnapolsky Amsterdam
NH Krasnapolsky, Amsterdam
Okura Amsterdam

Pullitzer Amsterdam
Royal Amsterdam
Sheraton Schiphol, Amsterdam
Hotel Nassau Breda
Hotel des Indes, den Haag
Golden Tulip, Leende
NH Leeuwenhorst, Noordwijkerhout
Hilton, Rotterdam
Grand Hotel Karel V, Utrecht

HUNGARY

Corinthia Grand Hotel Royal, Budapest

INDIA

Hyatt Regency, New Delhi

ITALY

Armani, Milan
Park Hyatt, Milan
Viu, Milan
Terme di Saturnia, Tuscany
Kempinski Prigelato Village
Regina Isabella, Ischia
Hotel Risorgimento, Lecce
Hotel Rome Cavalieri, Rome
Hotel Bellevue Syrene, Sorrento
Maison La Minervetta, Sorrento
Hotel Cipriani, Venice
Palazzo Venart, Venice
Grand Hotel Principe di Piemonte,
Viareggio

IRELAND

Fitzwilliam Hotel, Belfast
Lough Erne Golf Resort, Enniskillen
The Westbury Hotel, Dublin
Westin Hotel, Dublin
The Ritz Carlton, Enniskerry
Marriott Hotel, Enfield
Radisson Blu Galway

ISRAEL

Royal Beach Red Sea, Eilat
Carmel Forest, Haifa
Dan Hotels, Jerusalem
King David, Jerusalem
Leonardo hotels, Jerusalem
Crown Plaza, Tel Aviv
Sheraton, Tel Aviv

JORDAN

Grand Hyatt, Amman
Mövenpick, Aqaba
Mövenpick, Talabay

KENYA

Ole Sereni Hotel, Nairobi

R.D. CONGO

Grand Hotel, Kinshasa
Hotel Memling, Kinshasa
Kin Plaza Arjaan Rotana, Kinshasa

KOWEIT

Crowne Plaza
Holiday Inn Salmiya
Hilton Kuwait Resort
Marina Hotel
Rotana Hotel

LEBANON

Le Gray, Beyrouth
Kempinski Summerland hotel & Resort
Beirut
Byblos Sur Mer boutique hotel
Metropolitan Habtoor hilton hotel
Phoenicia Intercontinental hotel
Le Royal Hotel & Resort Beirut
Small ville design hotel

LIBYA

Corinthia Bab Africa Hotel, Tripoli

LATVIA

PK Riga Hotel



LITHUANIE

Radisson SAS Astoria Hotel, Vilnius

LUXEMBOURG

Alvisse Park Hotel

MADAGASCAR

Hotel Soanambo, Île Sainte Marie

MALI

Azalaï Hotel Salam, Bamako

MALTA

Dolmen Resort Hotel
Hugo's Hotel
Intercontinental Malta
The Westin Dragonara

MOROCCO

Ifrane Palace
Royal Atlas, Agadir
Meridien Royal Mansour, Casablanca
Sofitel Casablanca
Residence Hotel, Donovaly
La Mamounia, Marrakech
Sofitel Diwan, Rabat
Sun City, Rabat
Mövenpick Malabata, Tanger
Hotel Holiday Inn, Zilina

MONACO

Monte Carlo Bay Hotel

NEW CALEDONIA

Méridien Ile des Pins, Nouméa

NIGERIA

Four Points Sheraton, Lagos
Sheraton Capital Hotel, Abuja
Sheraton Lagos Hotel, Lagos

NORWAY

Radisson SAS Hotel, Frederikstad
Det Hanseatiske Hotel
Best Western Bondeheimen Hotel, Oslo
Hotel Continental Oslo
Radisson Blu Airport Hotel
Thon Hotel, Maritim & Stravanger
Svalbard Hotel

OMAN

Hilton Resort Salalah
Albustan Palace, Muttrah
Millennium, Mussanah
Crown Plaza, Muscat

PHILIPPINES

Shangri-La Boracay

POLAND

Hotel Regina, Warsaw
Royal Starman Bristol, Warsaw
Hotel Klimczok, Szczyrk

PORTUGAL

Hotel Intercontinental, Estoril
Double Tree by Hilton, Lisbon,
Fontana Park
Pestana Hotel Porto Santo, Madeira
The Vine Hotel, Madeira
Sheraton Hotel, Porto
Méridien Hotel Park Atlantic, Porto
Hotel Tivoli Victoria, Vilamoura
Altis Hotel
3K Hotels

QATAR

Grand Hyatt, Doha
La Cigale, Doha
The Ritz Carlton Doha
W Hotel, Doha

ROMANIA

Hilton Athenee Palace, Bucharest
Hotel Teleferic, Poiana Brasov

RUSSIA

Azimut
Hotel Rimar, Krasnodar

Hotel Metropole Moscow
Astoria Hotel, Saint Petersburg
Crowne Plaza, Saint Petersburg
W Hotel Saint Petersburg
Grand Hotel Polyana Sochi
Holiday Inn Moskovskie Vorota

SAUDI ARABIA

Al Ahsa Intercontinental, Al Hofuf
Intercontinental, Jeddah
Kempinski Al Othman Hotel
Sofitel Makkah Hotel
Hilton Obeikan, Riyadh

SENEGAL

Le Méridien, Dakar

SEYCHELLES

Le Méridien Barbarons

SWEDEN

Comfort Hotel Göteborg
Radisson Hotel, Göteborg
Comfort Hotel, Norrköping
Sheraton Hotel, Stockholm
Elite Hotels
Scandic Hotels
Surahammars Herrgård

SLOVAKIA

Hotel Crowne Plaza, Bratislava
Gate One Hotel, Bratislava
Hotel Holiday Inn, Zilina
Residence Hotel, Donovaly
Galileo Hotel, Donovaly

SOUTH AFRICA

Oyster Box Hotel, Umhlanga Rocks

SPAIN

Iberostar
AC Hotels
Hipotel
Hotels Westin
Hospes Hoteles
NN Hotels
Hotel Riu Don Miguel, Canary Island
Puerto Antilla Grand Hotel, Huelva
Hotel Puente Romano in Marbella, Malaga
Hotel Melia Castilla, Madrid
The Principal Madrid Hotel, Madrid
Hotel villa Paulita, Puigcerdà

SWITZERLAND

Les Trois Rois, Basel
Discovery Hotel, Crissier
Hotel Hirschen, Grindelwald
Grand Hotel Kempinski, Geneva
Hotel Warwick, Geneva
Lake Geneva Hotel, Geneva
Mandarin Oriental, Geneva
Ritz Carlton, Geneva
Starling Hotel, Geneva
Grand Hotel Victoria-Jungfrau, Interlaken
Grand Hôtel Les Endroits,
La Chaux-de-Fonds
Aquatris Hotel, Lausanne
Mövenpick Hotel, Lausanne
Royal Savoy, Lausanne
Bürgerstock Hotels & Ressor Lake, Lucerne
Hôtel Idea Lucerne
Hotel Montreux Palace, Montreux
Les Bains de Saillon, Saillon
Crystal Hotel, St. Moritz
Grand Hotel Kronenhof, St Moritz
Hotel W Verbiers
Dolder Hotel, Zurich
Steigenberger Bellerive au Lac, Zurich
Hotel Baur au Lac, Zurich

SUDAN

Burj Al Fateh Hotel, Khartoum

TURKEY

Swissotel Bosphorus, Istanbul
Hilton, Izmir

UAE

Crown Plaza, Abu Dhabi
Four Seasons, Abu Dhabi
Marina Hotel, Yas Island Abu Dhabi
Radisson Blu Hotel, Yas Island Abu Dhabi
Anantara The Palm Dubai Resort
Dubai Parks and Resort
Grand Hyatt, Dubai
Grand Millennium, Dubai
Habtoor Grand Resort & Spa Dubai
Habtoor City – St Regis ,
Westin & W Hotel, Dubai
Metropolitan Hotel, Dubai
Meydan Hotel, Dubai
Westin Dubai Marina
Mövenpick Hotel Bur Dubai
Radisson SAS Deira Creek Dubai
Double Tree by Hilton resort and Spa,
Marjan Island
Westin, Mina Szyahi
Damac The distinction Properties
Double Tree by Hilton, Ras al Khaimah

UGANDA

Serena Hotel, Kampala

UNITED KINGDOM

Sheraton Grand Hotel, Edinburgh
Hilton, Glasgow
Rudding Park House, Harrogate
Sheraton Skyline Hotel, Heathrow
Corinthia London
Crowne Plaza London-
Albert Embankment
Crown Plaza Manchester, Oxford Road
Four Seasons Hamilton Place, London
Hilton London Bankside, London
Hilton London Tower Bridge
Edwardian hotels
Méridien Piccadilly, London
Park Lane Hotel, London
Park Plaza Westminster, London
Royal Garden Hotel, London
Lowry Hotel, Manchester

UKRAINE

Superior Hotel, Kharkov

CRUISE LINE REFERENCES





Mercura Industries s.a.
Rue Bois des Îles 15
B-1082 Brussels
Belgium

Tel: +32 (0)2 482 11 30
Fax: +32 (0)2 468 18 48
www.mercura.com
info@mercura.com

With the support of



Thanks to

Hotel Metropole
Hotel Bloom

© 2018 Mercura / PHDPH.com / www.dojodesign.eu